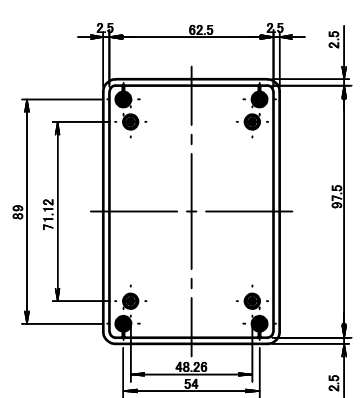
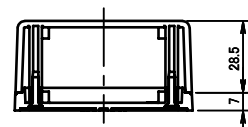
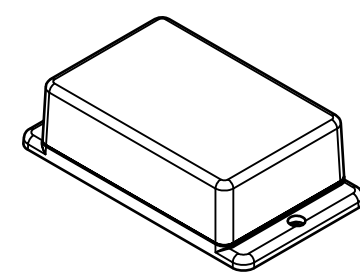
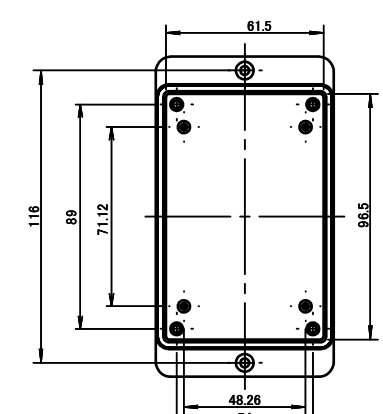



ISO VIEW  
1:3



TOP



BASE

 <b>CAMDENBOSS</b> JAMES CARTER RD, MILDENHALL, SUFFOLK. IP28 7DE TEL: 01638 716101 FAX: 01638 716554 EMAIL: Sales@CamdenBoss.com WEB: www.CamdenBoss.com			UNLESS OTHERWISE SPECIFIED: DIMENSIONS ARE IN MILLIMETERS		DO NOT SCALE DRAWING		REVISION. ○	
			GENERAL TOLERANCES +/- 0.2		TITLE: <b>83 SERIES PLASTIC FLANGED CASES, DARK GREY, 127x70.6x35.5</b>			
			FINISH. FINE TEXTURE		DWG. NO. <b>CUE8309DG</b>		A4	
DRAWN LEWIS LETCHFORD L.L. 11/02/2014			MATERIAL. ABS UL94-V0		SCALE. 1:3		SHEET 1 OF 1	
CHK'D - - -			PROJECTION. 