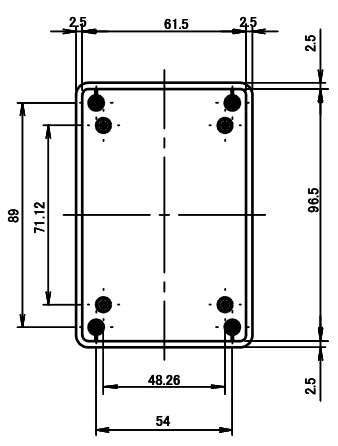
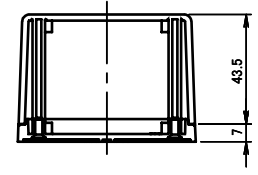
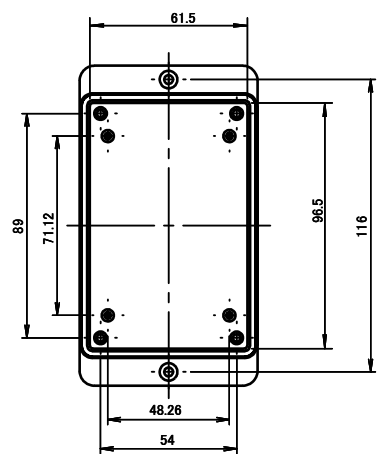


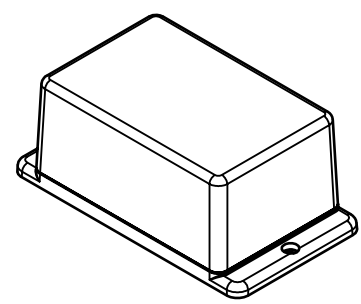
ISO VIEW
1:3




TOP



BASE



 CAMDENBOSS JAMES CARTER RD, MILDENHALL, SUFFOLK. IP28 7DE TEL: 01638 716101 FAX: 01638 716554 EMAIL: Sales@CamdenBoss.com WEB: www.CamdenBoss.com		UNLESS OTHERWISE SPECIFIED: DIMENSIONS ARE IN MILLIMETERS		DO NOT SCALE DRAWING		REVISION. <input type="checkbox"/>	
		GENERAL TOLERANCES +/- 0.2		TITLE: 83 SERIES PLASTIC FLANGED CASES, WHITE, 127x70.6x50.5			
		FINISH. FINE TEXTURE		MATERIAL. ABS UL94-V0		DWG NO. CUE8310WH	
DRAWN	LEWIS LETCHFORD	SIGNED	LL	DATE	11/02/2014	SCALE: 1:3	
CHK'D	-	-	-	-	-	SHEET 1 OF 1	

A4