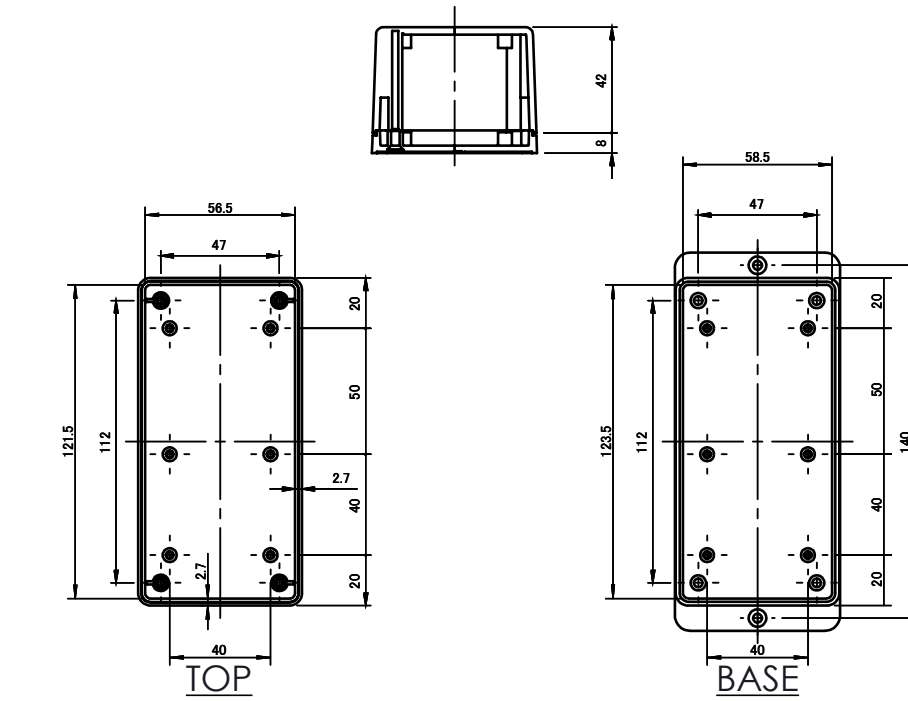
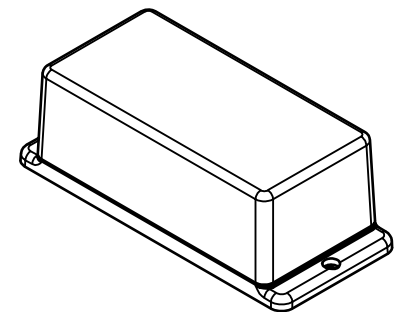



ISO VIEW
1:3



 CAMDENBOSS JAMES CARTER RD, MILDENHALL, SUFFOLK. IP28 7DE TEL: 01638 716101 FAX: 01638 716554 EMAIL: Sales@CamdenBoss.com WEB: www.CamdenBoss.com		UNLESS OTHERWISE SPECIFIED: DIMENSIONS ARE IN MILLIMETERS	DO NOT SCALE DRAWING	REVISION. ○
		GENERAL TOLERANCES +/- 0.2	TITLE: 83 SERIES PLASTIC FLANGED CASES, DARK GREY, 150x65.5x50	
DRAWN LEWIS LETCHFORD L.L.		FINISH. FINE TEXTURE	DWG NO. CUE8312DG	A4
CHK'D -	SIGNED -	MATERIAL. ABS UL94-V0	SCALE. 1:3	SHEET 1 OF 1
	DATE 11/02/2014	PROJECTION. 