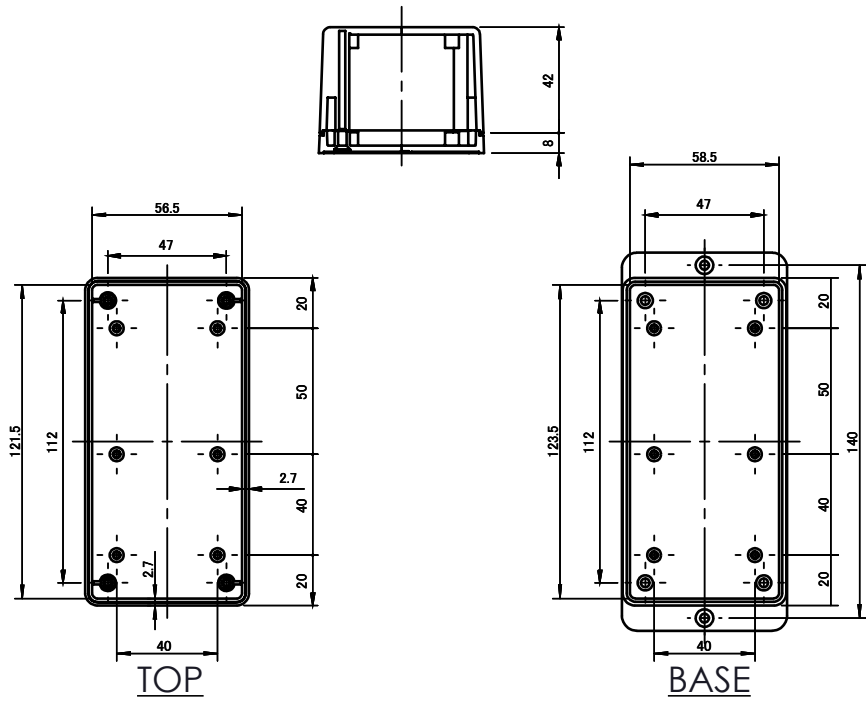
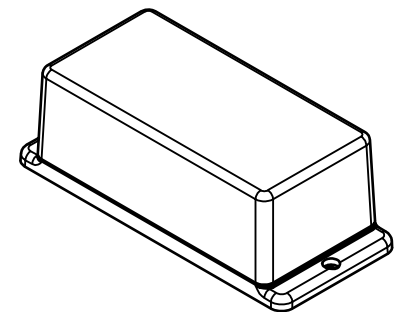



ISO VIEW
1:3



 CAMDENBOSS JAMES CARTER RD, MILDENHALL, SUFFOLK. IP28 7DE TEL: 01638 716101 FAX: 01638 716554 EMAIL: Sales@CamdenBoss.com WEB: www.CamdenBoss.com		UNLESS OTHERWISE SPECIFIED: DIMENSIONS ARE IN MILLIMETERS		DO NOT SCALE DRAWING		REVISION. ○	
		GENERAL TOLERANCES +/- 0.2		TITLE: 83 SERIES PLASTIC FLANGED CASES, WHITE, 150x65.5x50			
		FINISH. FINE TEXTURE		DWG NO. CUE8312WH		A4	
MATERIAL. ABS UL94-V0		NAME		SIGNED		DATE	
DRAWN LEWIS LETCHFORD		L.L.		11/02/2014		SCALE. 1:3	
CHK'D -		-		-		SHEET 1 OF 1	
PROJECTION.		