

1 2 3 4 5 6

A

A

B

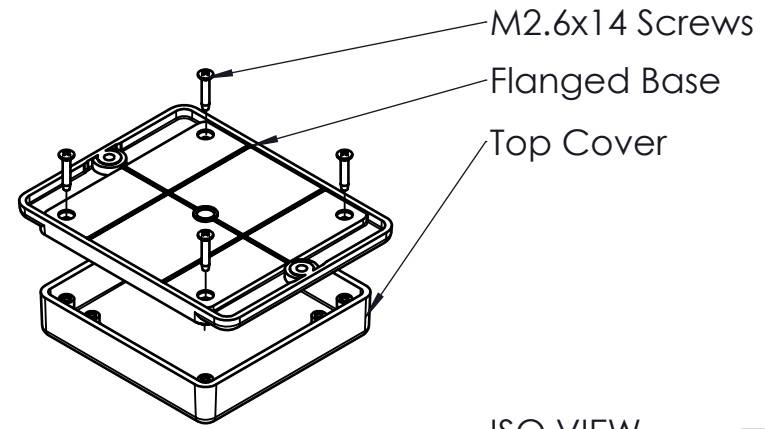
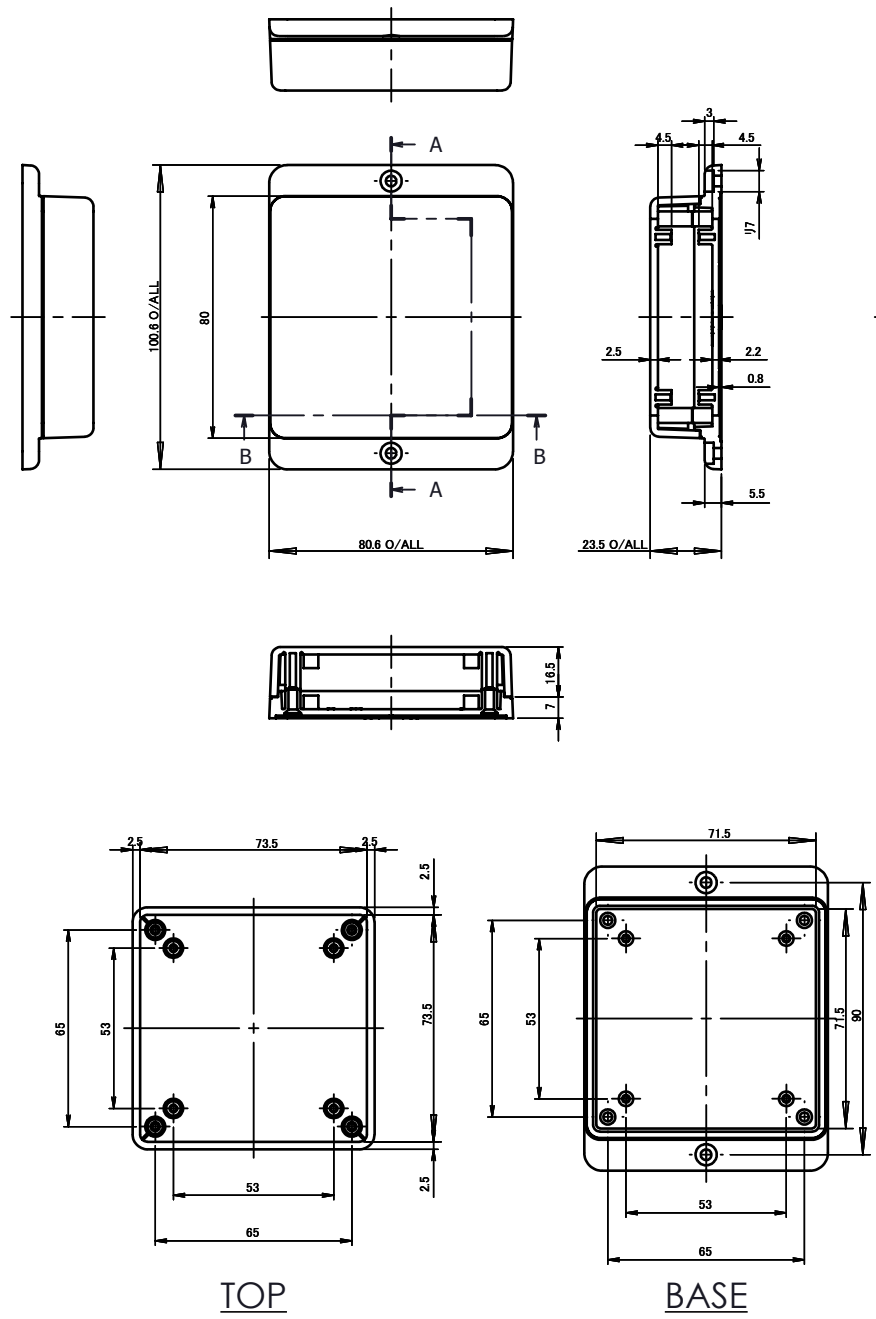
B

C

C

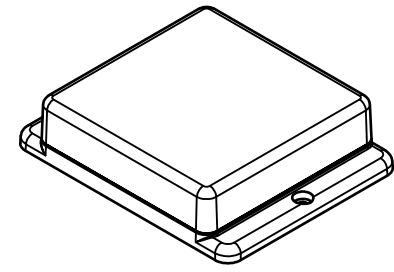
D

D





M2.6x14 Screws
Flanged Base
Top Cover

ISO VIEW
2:5



TOP

BASE

 CAMDENBOSS JAMES CARTER RD, MILDENHALL, SUFFOLK. IP28 7DE TEL: 01638 716101 FAX: 01638 716554 EMAIL: Sales@CamdenBoss.com WEB: www.CamdenBoss.com			UNLESS OTHERWISE SPECIFIED: DIMENSIONS ARE IN MILLIMETERS		DO NOT SCALE DRAWING		REVISION. ○	
			GENERAL TOLERANCES +/- 0.2		TITLE: 83 SERIES PLASTIC FLANGED CASES, DARK GREY, 100.6x80.6x23.5			
DRAWN LEWIS LETCHFORD			NAME		MATERIAL. ABS UL94-V0		DWG NO. CUE8313DG	
CHK'D -			SIGNED L.L.		DATE 11/02/2014		SCALE: 2:5	
			PROJECTION.				SHEET 1 OF 1	

1 2 3 4 5 6

A4