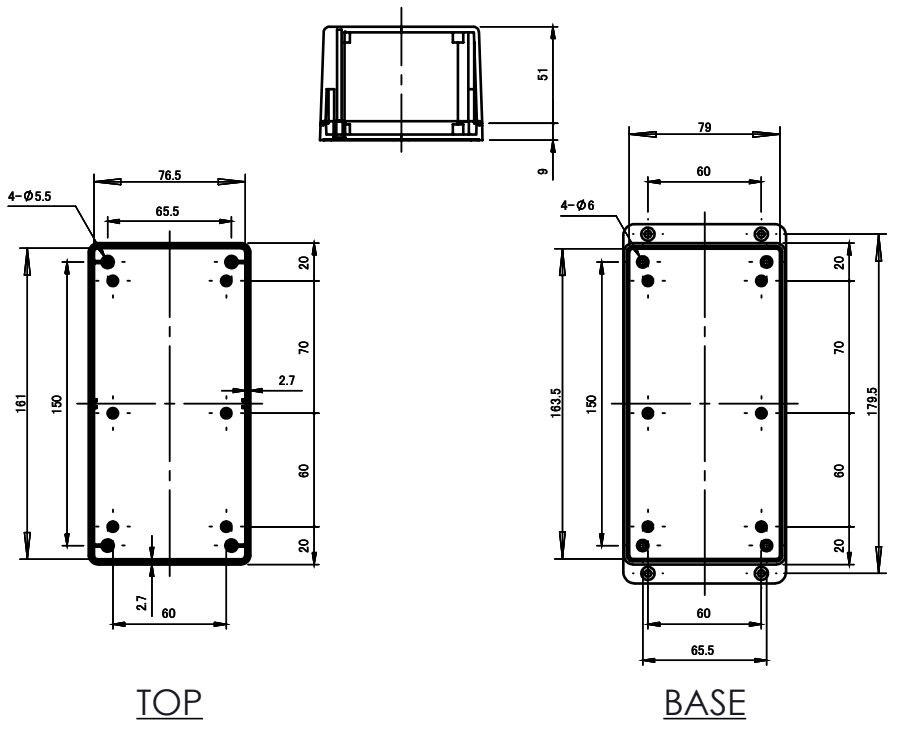
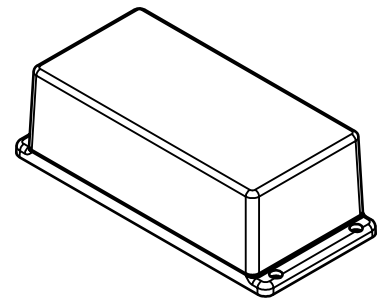




ISO VIEW
1:4



TOP

BASE

 CAMDENBOSS JAMES CARTER RD, MILDENHALL, SUFFOLK. IP28 7DE TEL: 01638 716101 FAX: 01638 716554 EMAIL: Sales@CamdenBoss.com WEB: www.CamdenBoss.com		UNLESS OTHERWISE SPECIFIED: DIMENSIONS ARE IN MILLIMETERS	DO NOT SCALE DRAWING	REVISION. ○
		GENERAL TOLERANCES +/- 0.2	TITLE: 83 SERIES PLASTIC FLANGED CASES, DARK GREY, 190x86x60	
DRAWN: LEWIS LETCHFORD		FINISH: FINE TEXTURE	MATERIAL: ABS UL94-V0	DWG NO. CUE8316DG
NAME: LEWIS LETCHFORD	SIGNED: L.L.	DATE: 11/02/2014	PROJECTION. 	SCALE: 1:4
CHK'D: -	-	-	SHEET 1 OF 1	

A4