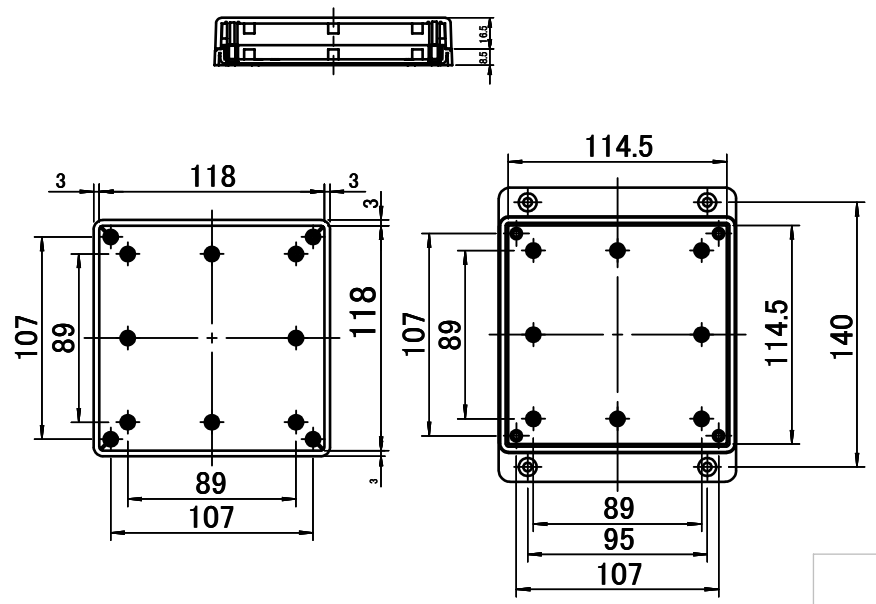



ISO VIEW  
1:4



 <b>CAMDENBOSS</b> JAMES CARTER RD, MILDENHALL, SUFFOLK. IP28 7DE TEL: 01638 716101 FAX: 01638 716554 EMAIL: Sales@CamdenBoss.com WEB: www.CamdenBoss.com		UNLESS OTHERWISE SPECIFIED: DIMENSIONS ARE IN MILLIMETERS		DO NOT SCALE DRAWING		REVISION. ○						
		GENERAL TOLERANCES +/- 0.2		TITLE: <b>83 SERIES PLASTIC FLANGED CASES, DARK GREY, 155.6x125.6x25</b>								
DRAWN		NAME		SIGNED		DATE		MATERIAL.		DWG NO.		A4
LEWIS LETCHFORD		LL		11/02/2014		ABS UL94-V0		CUE8319DG		SCALE: 1:4		
CHK'D		-		-		-		PROJECTION.		SHEET 1 OF 1		