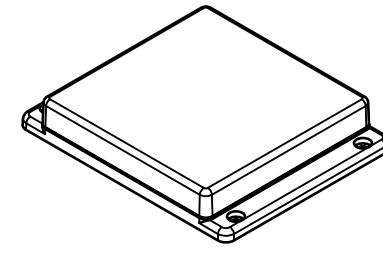
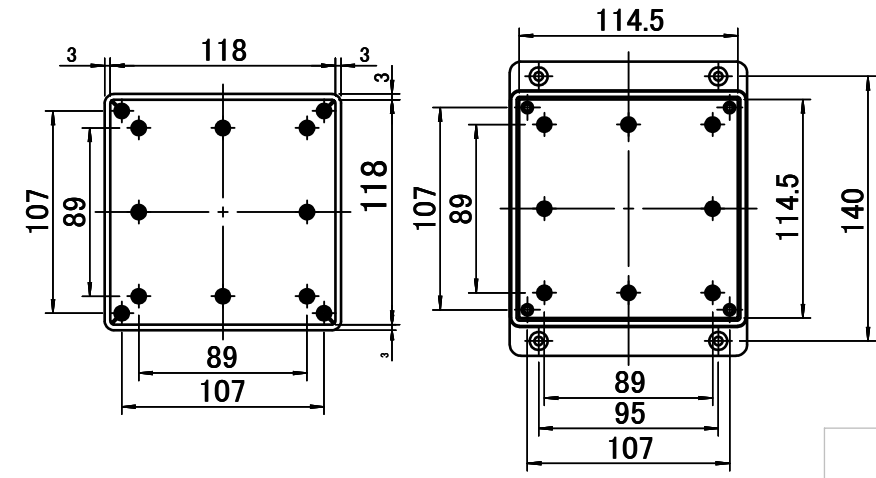




ISO VIEW
1:4



 CAMDENBOSS JAMES CARTER RD, MILDENHALL, SUFFOLK. IP28 7DE TEL: 01638 716101 FAX: 01638 716554 EMAIL: Sales@CamdenBoss.com WEB: www.CamdenBoss.com		UNLESS OTHERWISE SPECIFIED: DIMENSIONS ARE IN MILLIMETERS		DO NOT SCALE DRAWING		REVISION. <input type="radio"/>	
		GENERAL TOLERANCES +/- 0.2		TITLE: 83 SERIES PLASTIC FLANGED CASES, WHITE, 155.6x125.6x25			
DRAWN		NAME		MATERIAL.		DWG NO.	
LEWIS LETCHFORD		L.L.		ABS UL94-V0		CUE8319WH	
CHK'D		SIGNED		PROJECTION.		SCALE: 1:4	
-		-				SHEET 1 OF 1	
		DATE		A4			
		11/02/2014					