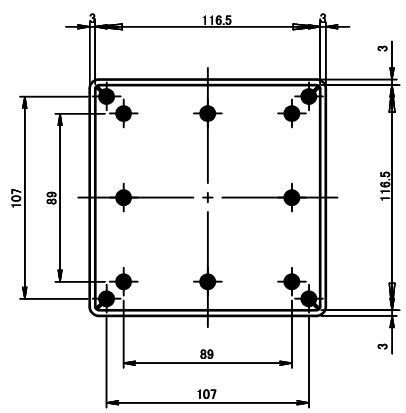
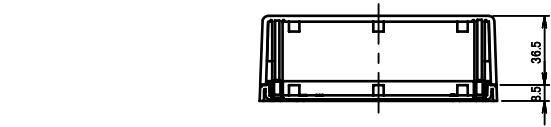
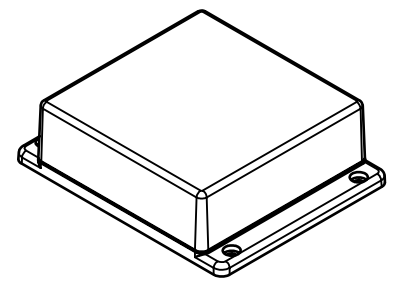
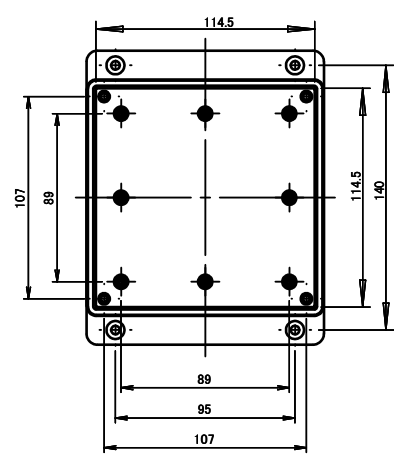



ISO VIEW  
1:4



TOP



BASE

 <b>CAMDENBOSS</b> JAMES CARTER RD, MILDENHALL, SUFFOLK. IP28 7DE TEL: 01638 716101 FAX: 01638 716554 EMAIL: Sales@CamdenBoss.com WEB: www.CamdenBoss.com		UNLESS OTHERWISE SPECIFIED: DIMENSIONS ARE IN MILLIMETERS		DO NOT SCALE DRAWING		REVISION. <input type="checkbox"/>	
		GENERAL TOLERANCES +/- 0.2		TITLE: <b>83 SERIES PLASTIC FLANGED CASES, WHITE, 155.6x125.6x45</b>			
DRAWN		NAME	SIGNED	DATE	MATERIAL.		DWG NO.
LEWIS LETCHFORD	LL	11/02/2014	ABS UL94-V0		<b>CUE8320WH</b>		A4
CHK'D	-	-	-	PROJECTION.	SCALE: 1:4		SHEET 1 OF 1