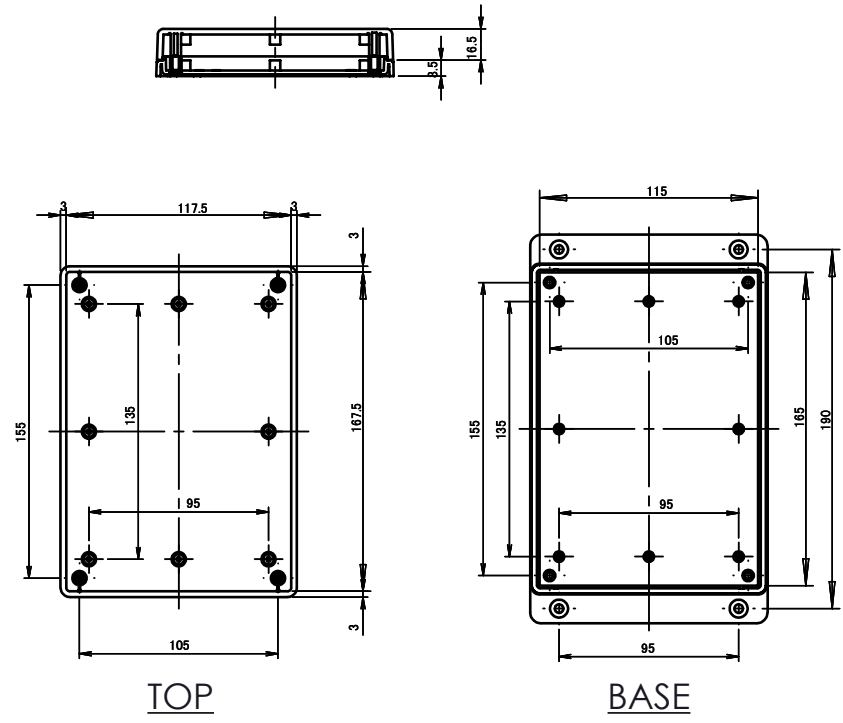
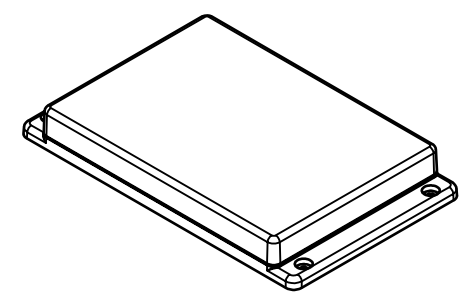




ISO VIEW
1:4



TOP

BASE

 CAMDENBOSS JAMES CARTER RD, MILDENHALL, SUFFOLK. IP28 7DE TEL: 01638 716101 FAX: 01638 716554 EMAIL: Sales@CamdenBoss.com WEB: www.CamdenBoss.com		UNLESS OTHERWISE SPECIFIED: DIMENSIONS ARE IN MILLIMETERS	DO NOT SCALE DRAWING	REVISION. ○
		GENERAL TOLERANCES +/- 0.2	TITLE: 83 SERIES PLASTIC FLANGED CASES, WHITE, 205.6x125.6x25	
DRAWN LEWIS LETCHFORD		NAME	SIGNED	DATE
CHK'D -		NAME	SIGNED	DATE
MATERIAL. ABS UL94-V0		FINISH. FINE TEXTURE		DWG NO. CUE8321WH
PROJECTION. 		SCALE. 1:4		SHEET 1 OF 1

A4