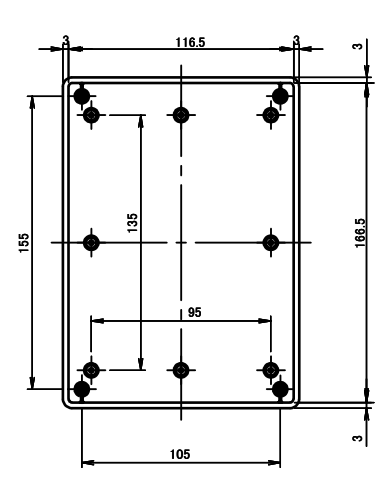
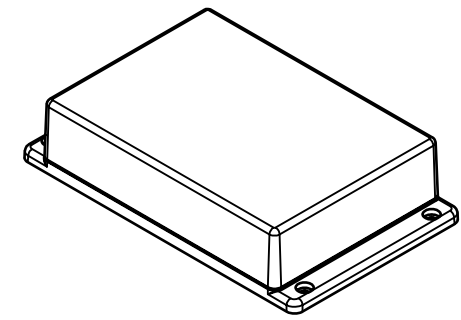
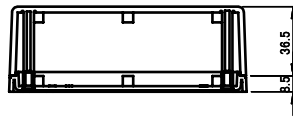
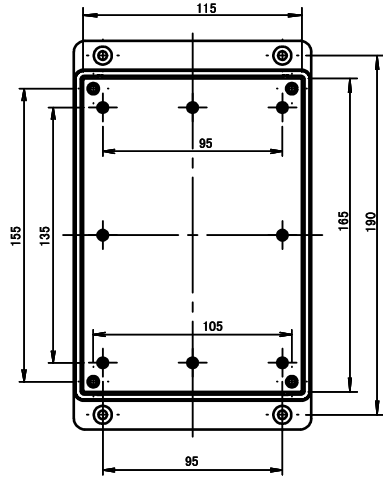



ISO VIEW
1:4



TOP



BASE

 CAMDENBOSS JAMES CARTER RD, MILDENHALL, SUFFOLK. IP28 7DE TEL: 01638 716101 FAX: 01638 716554 EMAIL: Sales@CamdenBoss.com WEB: www.CamdenBoss.com			UNLESS OTHERWISE SPECIFIED: DIMENSIONS ARE IN MILLIMETERS		DO NOT SCALE DRAWING		REVISION. ○	
			GENERAL TOLERANCES +/- 0.2		TITLE: 83 SERIES PLASTIC FLANGED CASES, DARK GREY, 205.6x125.6x45			
FINISH. FINE TEXTURE			MATERIAL. ABS UL94-V0		DWG NO. CUE8322DG		A4	
DRAWN	NAME	SIGNED	DATE	PROJECTION.	SCALE. 1:4	SHEET 1 OF 1		
CHK'D	-	-	-					