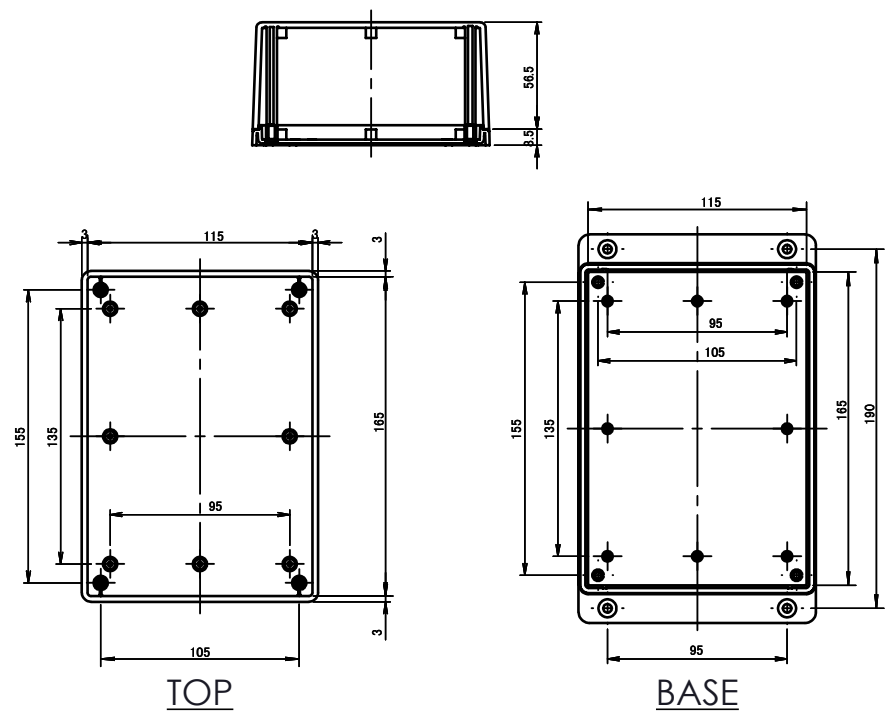
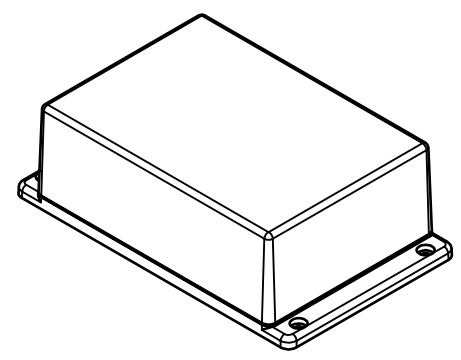




ISO VIEW
1:4



TOP

BASE

 CAMDENBOSS JAMES CARTER RD, MILDENHALL, SUFFOLK. IP28 7DE TEL: 01638 716101 FAX: 01638 716554 EMAIL: Sales@CamdenBoss.com WEB: www.CamdenBoss.com		UNLESS OTHERWISE SPECIFIED: DIMENSIONS ARE IN MILLIMETERS	DO NOT SCALE DRAWING	REVISION. <input type="checkbox"/>
		GENERAL TOLERANCES +/- 0.2	TITLE: 83 SERIES PLASTIC FLANGED CASES, DARK GREY, 205.6x125.6x65	
		FINISH. FINE TEXTURE	DWG NO. CUE8323DG	A4
DRAWN	NAME	SIGNED	DATE	MATERIAL. ABS UL94-V0
CHK'D	-	-	-	PROJECTION. 
			SCALE: 1:4	SHEET 1 OF 1