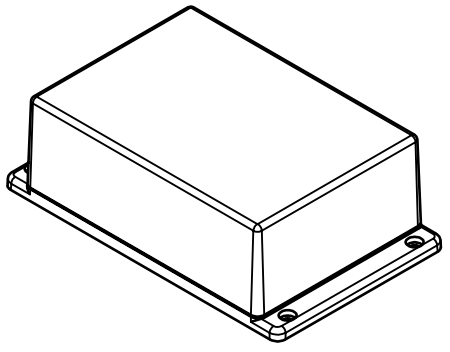
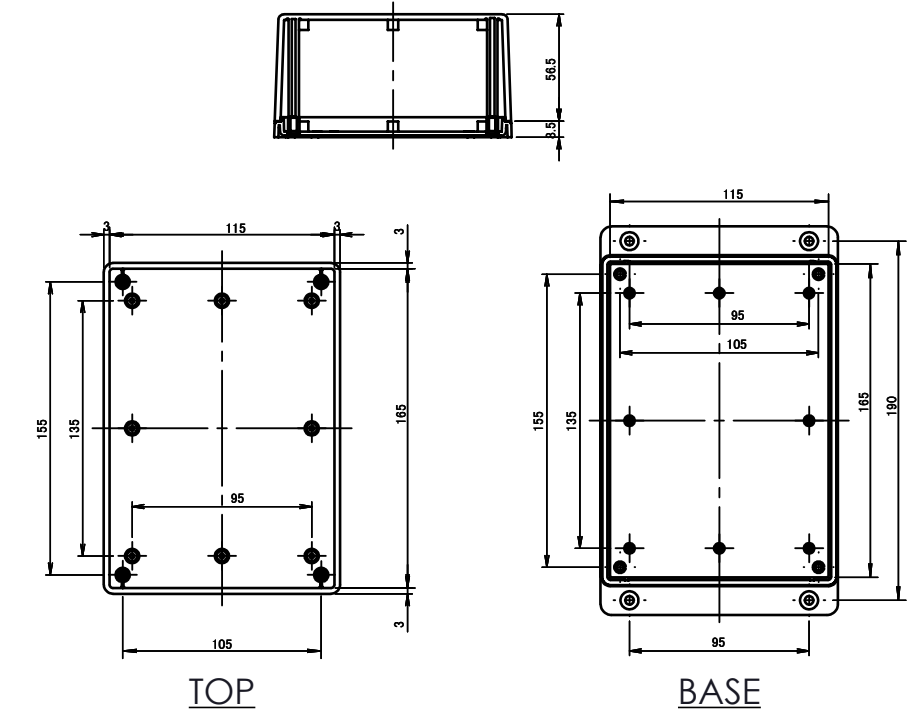




ISO VIEW
1:4



 CAMDENBOSS JAMES CARTER RD, MILDENHALL, SUFFOLK. IP28 7DE TEL: 01638 716101 FAX: 01638 716554 EMAIL: Sales@CamdenBoss.com WEB: www.CamdenBoss.com		UNLESS OTHERWISE SPECIFIED: DIMENSIONS ARE IN MILLIMETERS		DO NOT SCALE DRAWING		REVISION. <input type="checkbox"/>	
		GENERAL TOLERANCES +/- 0.2		TITLE: 83 SERIES PLASTIC FLANGED CASES, WHITE, 205.6x125.6x65			
DRAWN		NAME	SIGNED	DATE	MATERIAL.		DWG NO.
CHK'D		-	-	-	ABS UL94-V0		CUE8323WH
PROJECTION. 					SCALE: 1:4		SHEET 1 OF 1

A4