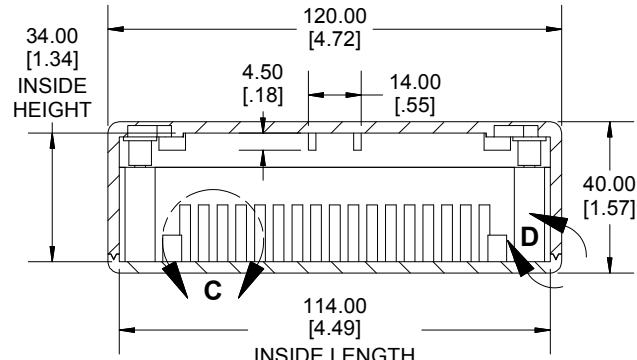
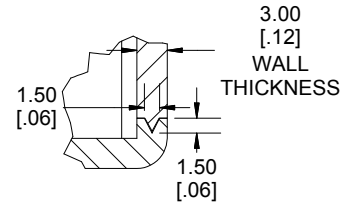


**DETAIL C**



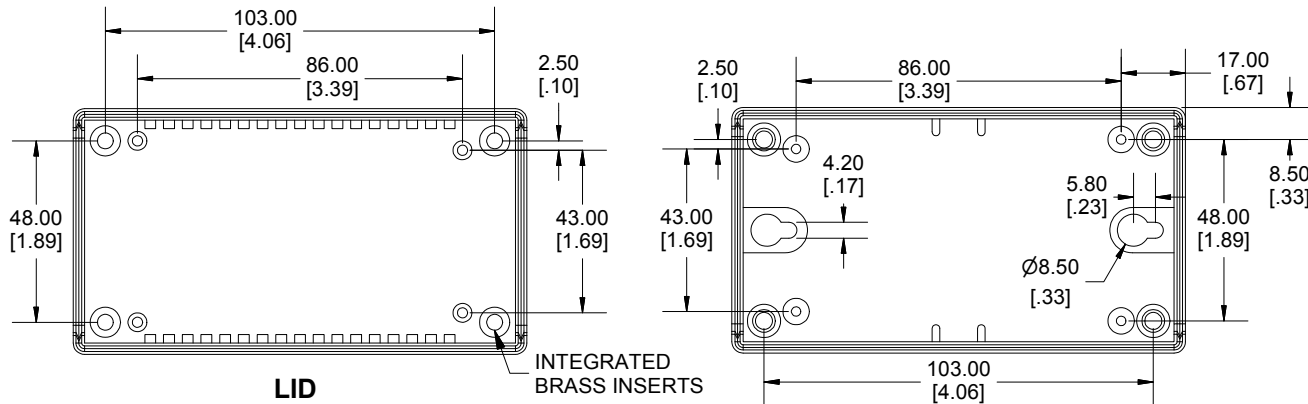
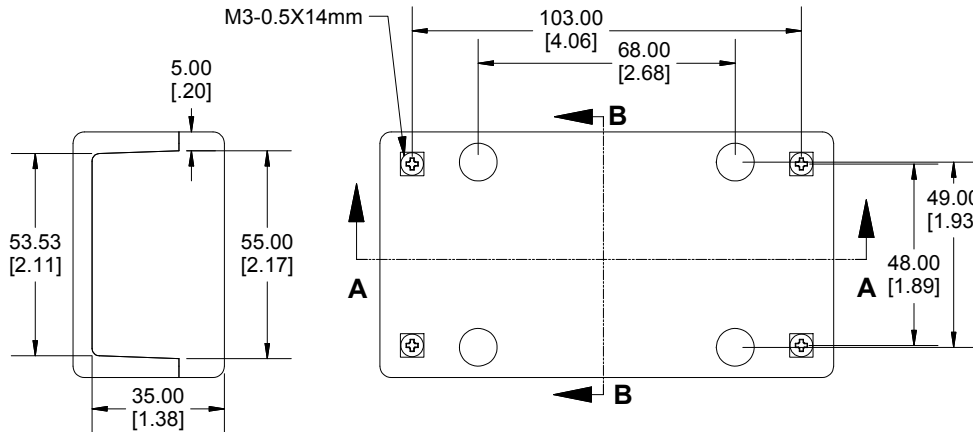
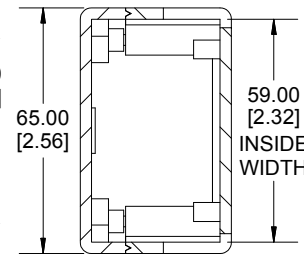
**SECTION A-A  
SIDE VIEW**



**DETAIL D  
GROOVE**



**SECTION B-B  
END VIEW**



**LID**

INTEGRATED  
BRASS INSERTS

**BOX**

Enclosures can be Factory Modified ( Milling, Drilling, Printing etc.)  
Contact Factory [mjm@hammondmfg.com](mailto:mjm@hammondmfg.com) for quotes  
Solid models of this enclosure available in STEP or IGES.

**NOTE**

Purchased assembly includes box, lid, 4 cover screws,  
and 4 P.C. board screws.

**Recommended Cover Screw Torque -- 2.5 lbf-in (30 cN-m)**

<b>MB1265</b>	
MB1265 Regular Enclosure	
Lid smooth light gray (RAL 7035)	MB126540VL
Bottom smooth dark gray (RAL 7012)	

**HAMMOND  
MANUFACTURING™**

**MB126540VL**

[www.hammondmfg.com](http://www.hammondmfg.com)

Dimensions:  
mm  
[inches]