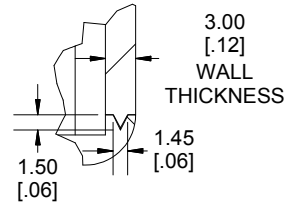
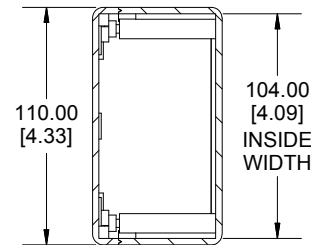
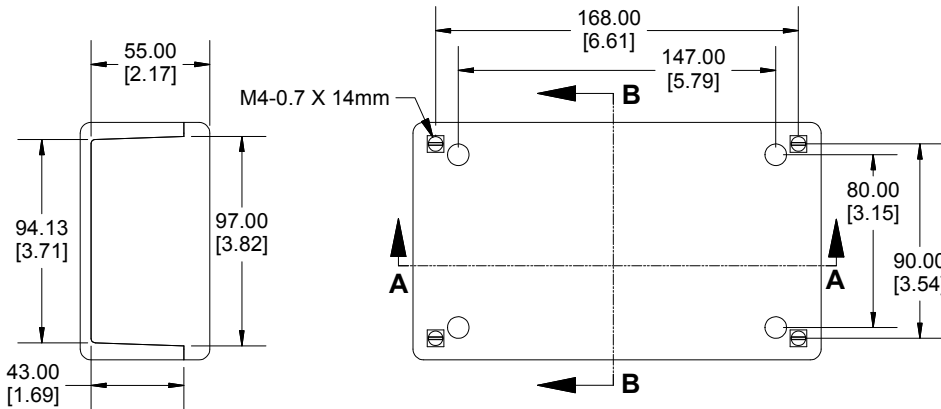
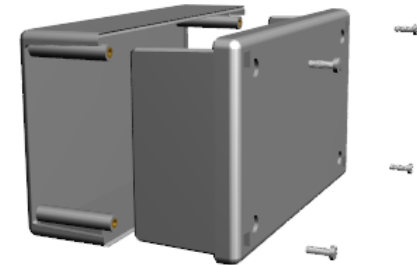


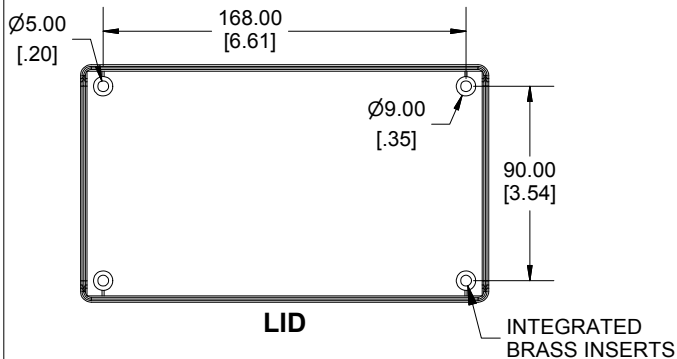
**SECTION A-A
SIDE VIEW**



**DETAIL C
GROOVE**

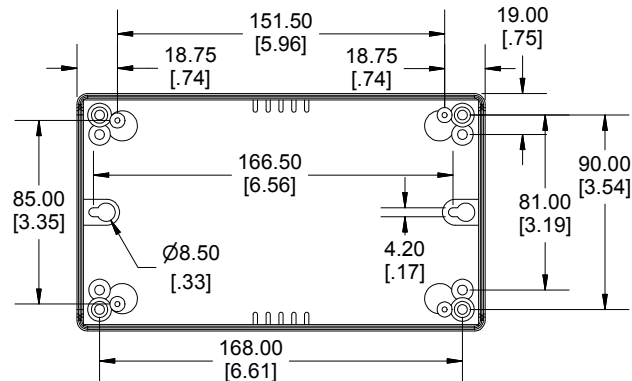


SECTION B-B



LID

INTEGRATED
BRASS INSERTS



BOX

Dimensions:
mm
[inches]

Enclosures can be Factory Modified (Milling, Drilling, Printing etc.)
Contact Factory mjm@hammondmfg.com for quotes
Solid models of this enclosure available in STEP or IGES.

NOTE

Purchased assembly includes box, lid, 4 cover screws,
and 4 P.C. board screws.

Recommended Cover Screw Torque -- 2.5 lbf-in (30 cN-m)

MB1811	
MB1811 Regular Enclosure	
Lid smooth light gray (RAL 7035)	MB181160
Bottom smooth dark gray (RAL 7012)	

**HAMMOND
MANUFACTURING™**

MB181160

www.hammondmfg.com