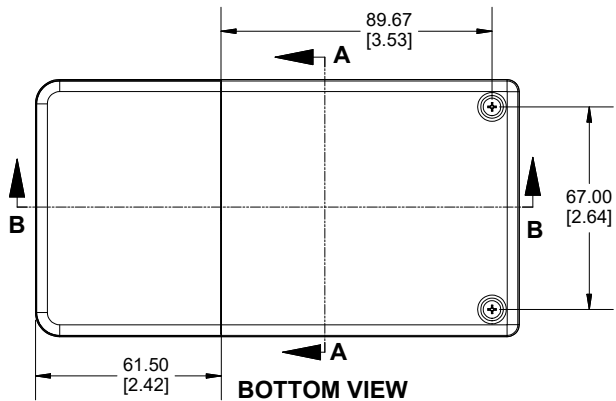
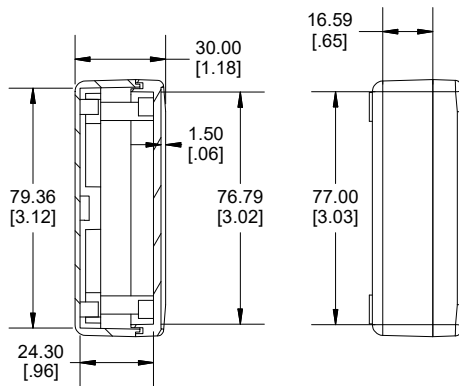


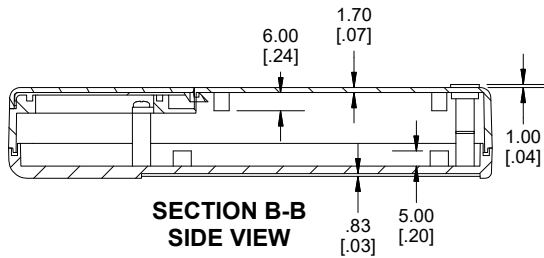
TOP VIEW



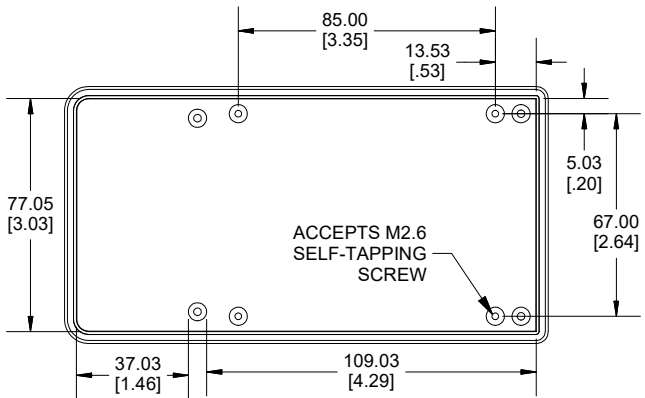
BOTTOM VIEW



SECTION A-A
END VIEW



SECTION B-B
SIDE VIEW

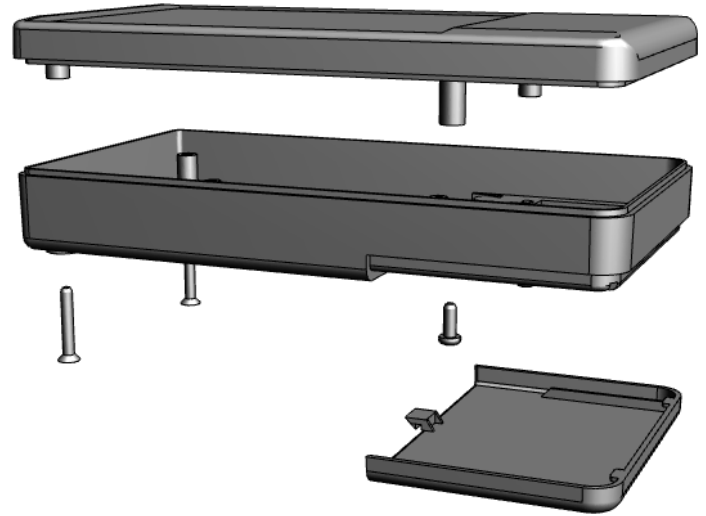


INSIDE LID



INSIDE BOX

Dimensions:
mm
[inches]



Enclosures can be Factory Modified (Milling, Drilling, Printing etc.)
Contact Factory (modshop@hammfg.com) for quotes
Solid models of this enclosure available in .stp or .x_t
(Part number and text placement/orientation on our products are subject to change,
we do not recommend using them as a locating reference for modification purposes)

NOTE

Purchased assembly includes box, lid, 4 PCB screws, battery door,
and 4 cover screws.

Recommended Torque : (43-50) Ozf.in / (30-35) cN.m

RH Enclosure

General Purpose ABS Light Grey (UL94 HB) RH3055

General Purpose ABS Black (UL94 HB) RH3051BK

ACCESSORIES

Cover screws (M3 X 20mm) Self-Tapping SC616-50 (50 Pkg)
(M3 X 8mm) Self-Tapping SC623-50 (50 Pkg)

PCB Screw (M2.6 X 6mm Self-tapping) SC519-50 (50 pkg)

Nylon Belt Clip Kit CP-001BK
CP-001G

**HAMMOND
MANUFACTURING**



RH3055

www.hammondmfg.com