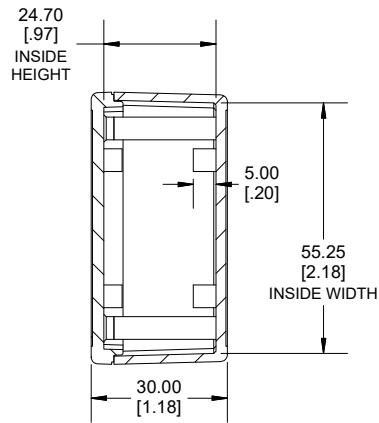
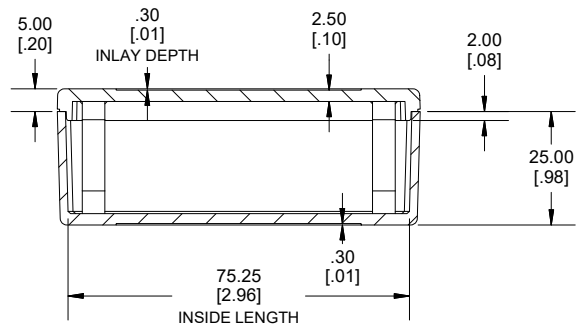


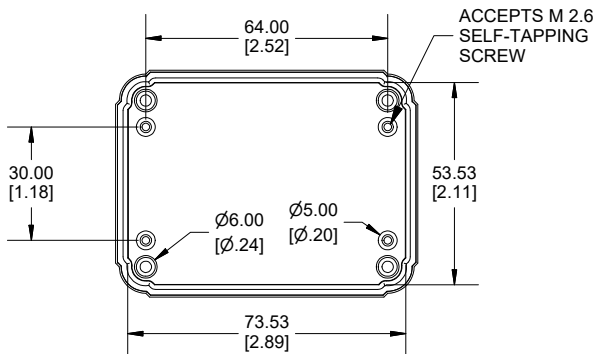
TOP VIEW



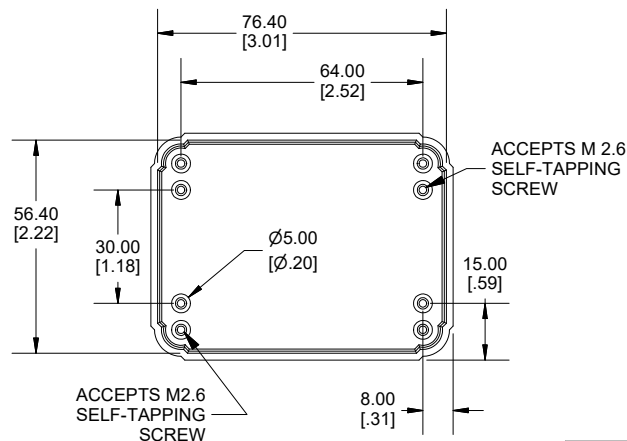
SECTION A-A  
END VIEW



SECTION B-B  
SIDE VIEW

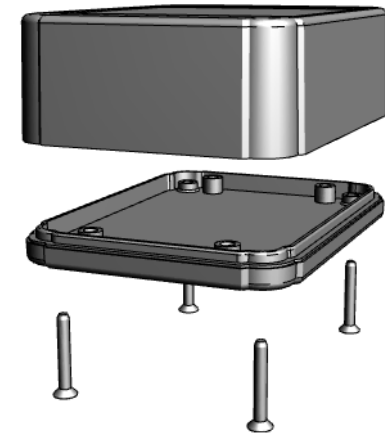


INSIDE LID



INSIDE BOX

Dimensions:  
mm  
[inches]



Enclosures can be Factory Modified (Milling, Drilling, Printing etc.)  
Contact Factory (modshop@hammfg.com) for quotes  
Solid models of this enclosure available in .stp or .x\_t  
(Part number and text placement/orientation on our products are subject to change,  
we do not recommend using them as a locating reference for modification purposes)

**NOTE**

Purchased assembly includes box, lid, 4 PCB screws, and 4 Lid screws.

Recommended Torque : (43-50) Ozf.in / (30-35) cN.m

**RL Enclosure**

General Purpose ABS Light Grey (UL94 HB)	RL6105
General Purpose ABS Black (UL94 HB)	RL6105BK

**ACCESSORIES**

Lid Screw (M2.6 X 18mm Self-tapping) (50 Pkg)	SC520-50
PCB Screw (M2.6 X 6mm Self-tapping) (50 Pkg)	SC519-50



**HAMMOND  
MANUFACTURING®  
RL6105**

www.hammondmfg.com