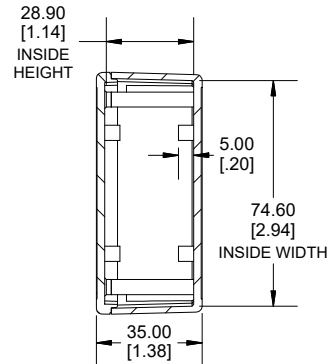
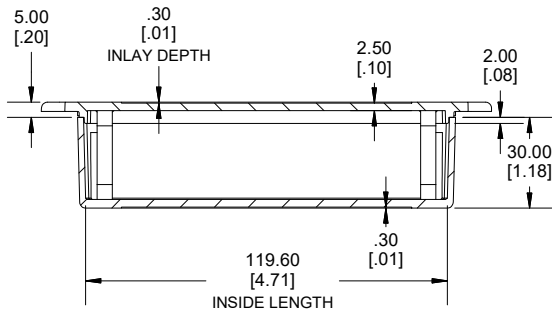
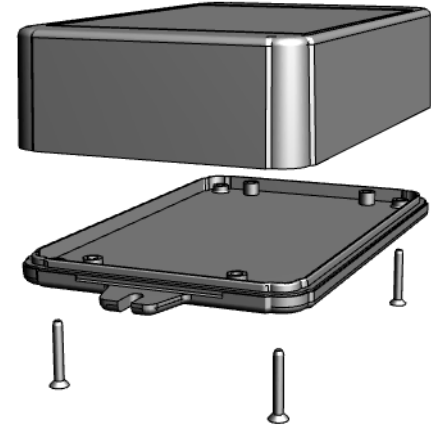


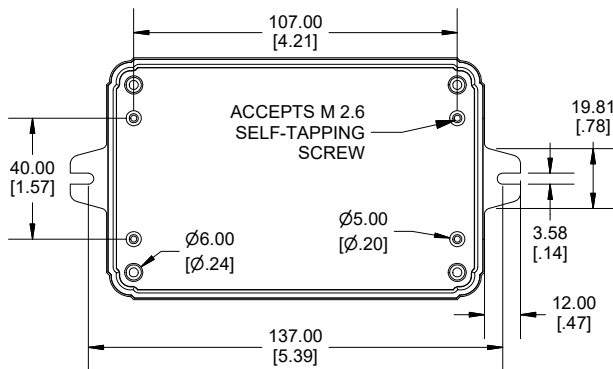
TOP VIEW



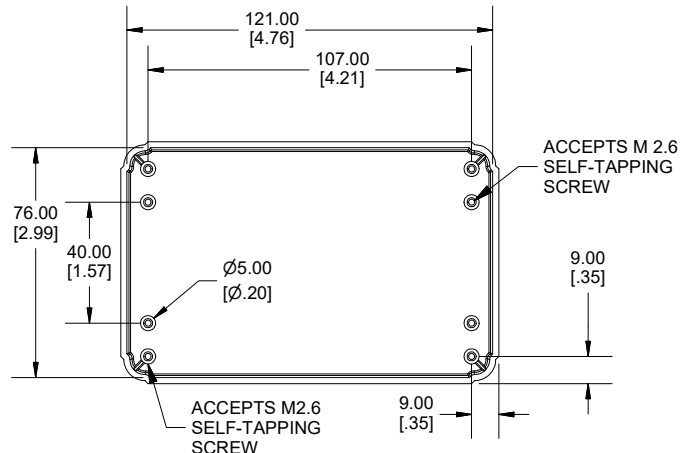
**SECTION A-A
END VIEW**



**SECTION B-B
SIDE VIEW**



INSIDE LID



INSIDE BOX

Dimensions:
mm
[inches]

Enclosures can be Factory Modified (Milling, Drilling, Printing etc.)
Contact Factory (modshop@hammfg.com) for quotes
Solid models of this enclosure available in .stp or .x_t
(Part number and text placement/orientation on our products are subject to change,
we do not recommend using them as a locating reference for modification purposes)

NOTE

Purchased assembly includes box, lid, 4 PCB screws, and 4 Lid screws.

Recommended Torque : (43-50) Ozf.in / (30-35) cN.m

RL Enclosure

General Purpose ABS Light Grey (UL94 HB)	RL6215F
General Purpose ABS Black (UL94 HB)	RL6215FBK

ACCESSORIES

Lid Screw (M2.6 X 18mm Self-tapping) (50 Pkg)	SC520-50
PCB Screw (M2.6 X 6mm Self-tapping) (50 Pkg)	SC519-50



**HAMMOND
MANUFACTURING.**

RL6215F

www.hammondmfg.com