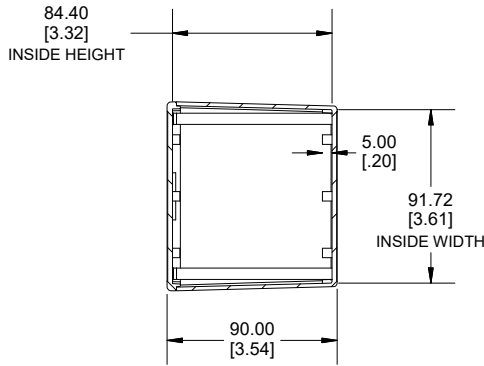
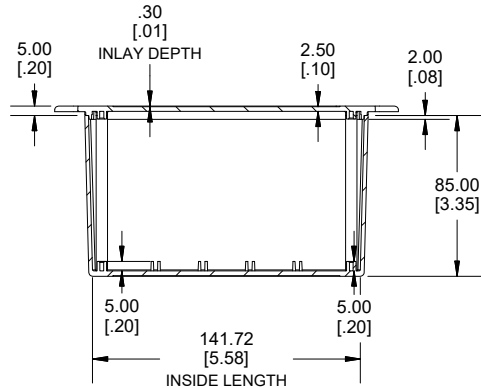
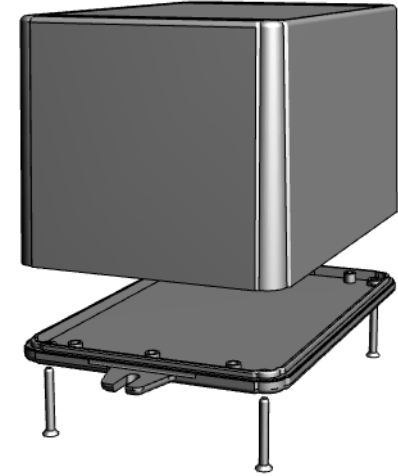


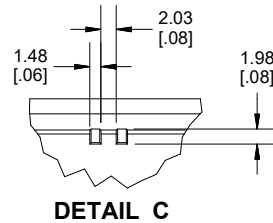
TOP VIEW



**SECTION A-A
END VIEW**



**SECTION B-B
SIDE VIEW**



DETAIL C

Enclosures can be Factory Modified (Milling, Drilling, Printing etc.)
 Contact Factory (modshop@hammfg.com) for quotes
 Solid models of this enclosure available in .stp or .x_t
 (Part number and text placement/orientation on our products are subject to change,
 we do not recommend using them as a locating reference for modification purposes)

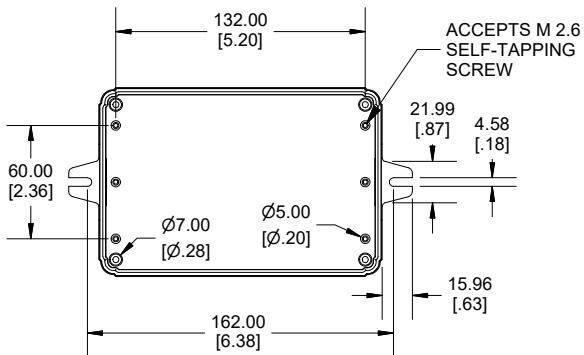
NOTE	
Purchased assembly includes box, lid, 4 PCB screws, and 4 Lid screws.	
Recommended Torque : (43-50) Ozf.in / (30-35) cN.m	

RL Enclosure	
General Purpose ABS Light Grey (UL94 HB)	RL6465F
General Purpose ABS Black (UL94 HB)	RL6465FBK
ACCESSORIES	
Lid Screw (M3 X 25mm Self-tapping) (50 Pkg)	SC617-50
PCB Screw (M2.6 X 6mm Self-tapping) (50 Pkg)	SC519-50

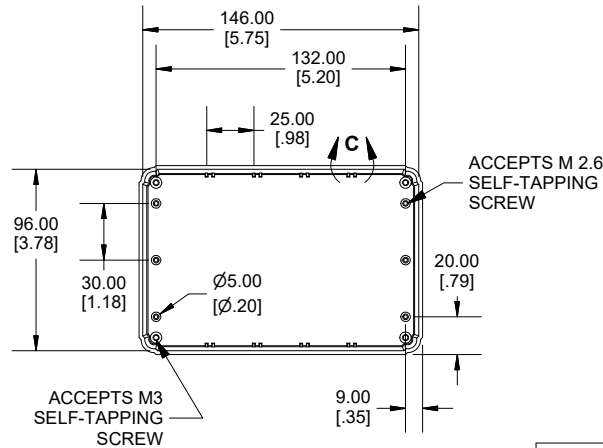
**HAMMOND
MANUFACTURING**

RL6465F

www.hammondmfg.com



INSIDE LID



INSIDE BOX

Dimensions:
 mm
 [inches]