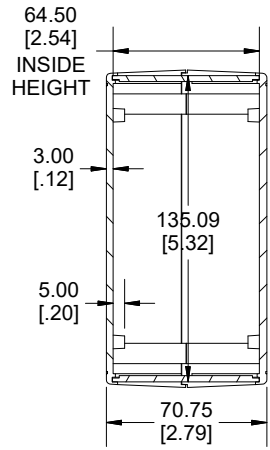
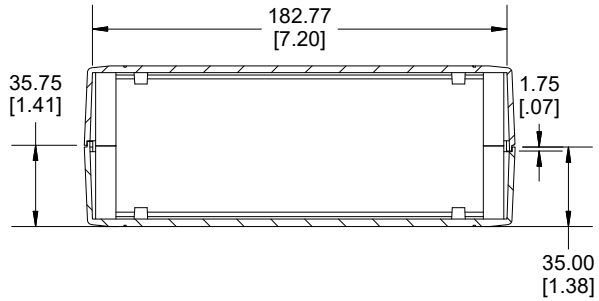
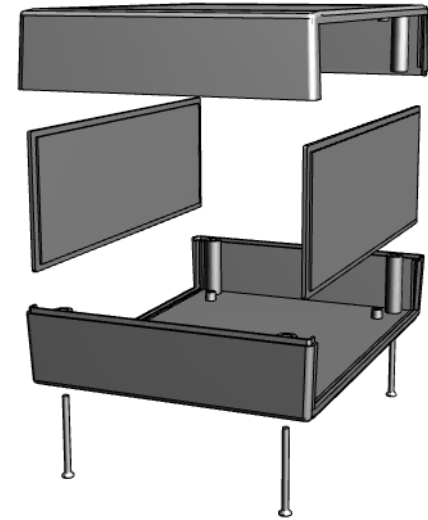


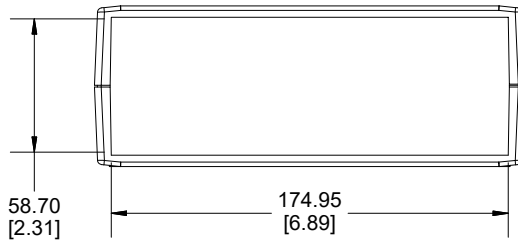
TOP VIEW



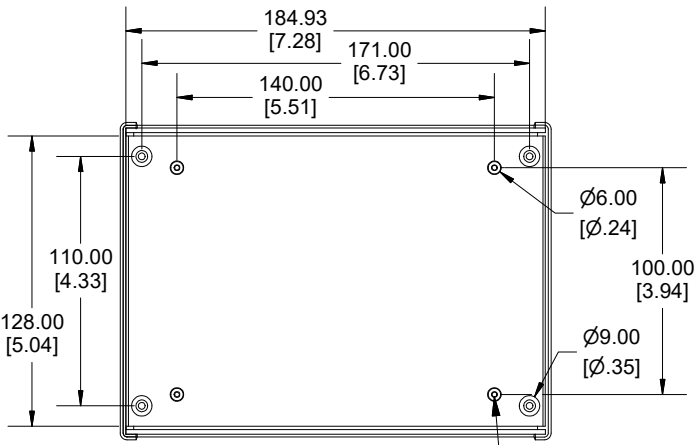
**SECTION A-A
SIDE VIEW**



**SECTION B-B
END VIEW**

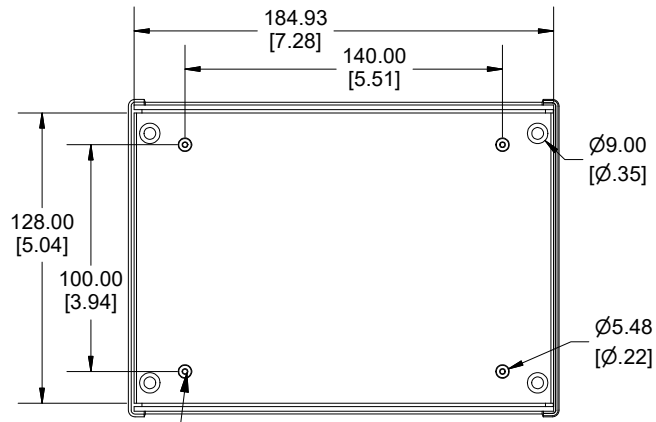


END VIEW



INSIDE BOTTOM

ACCEPTS M3
SELF-TAPPING
SCREW



INSIDE TOP

ACCEPTS M3
SELF-TAPPING
SCREW

Dimensions:
mm
[inches]

Enclosures can be Factory Modified (Milling, Drilling, Printing etc.)
Contact Factory (modshop@hammfg.com) for quotes
Solid models of this enclosure available in .stp or .x_t
(Part number and text placement/orientation on our products are subject to change,
we do not recommend using them as a locating reference for modification purposes)

NOTE	
Purchased assembly includes box, lid, 2 end panels, 4 PCB screws, and 4 lid screws.	
Enclosure molded from GPABS Plastic	
Recommended Torque : (43-50) Ozf.in / (30-35) cN.m	
RM Enclosure	
General Purpose ABS Light Grey (UL94 HB)	RM2055L
ACCESSORIES	
Lid Screw (M3X 40mm)	SC613-50
PCB Screw (M3 X 6mm Self-tapping)	SC622-50
Folding Feet Kit	FT-01

**HAMMOND
MANUFACTURING**

RM2055L

www.hammondmfg.com