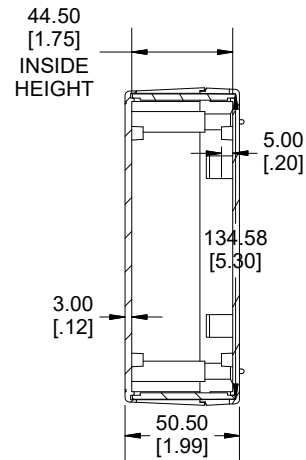
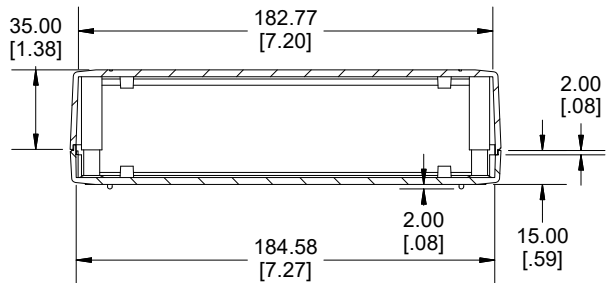
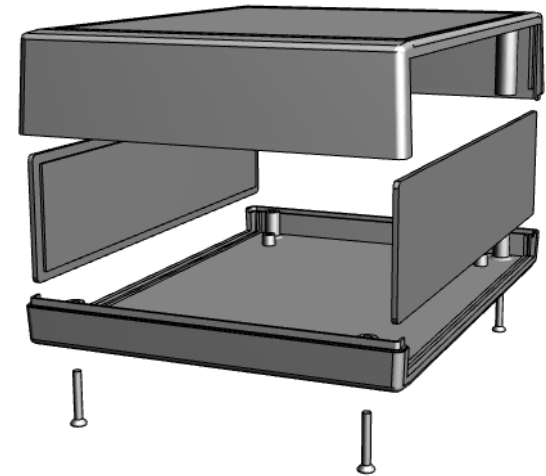


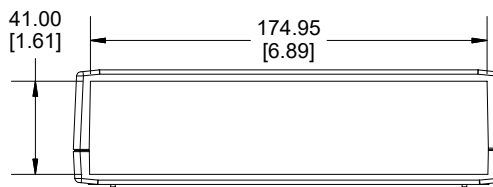
**TOP VIEW**



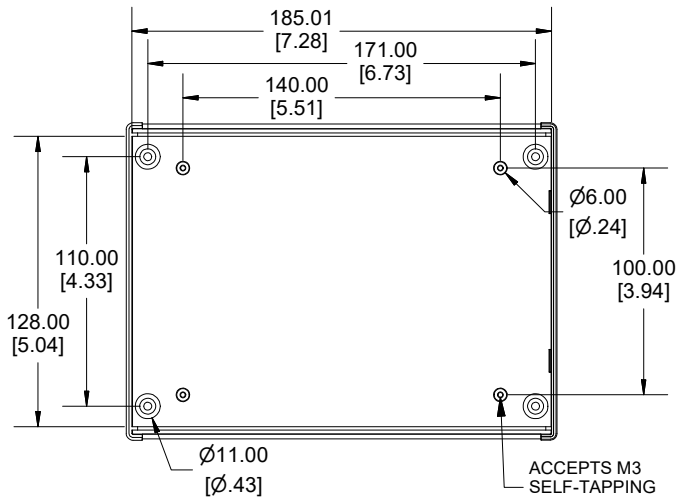
**SECTION A-A  
SIDE VIEW**



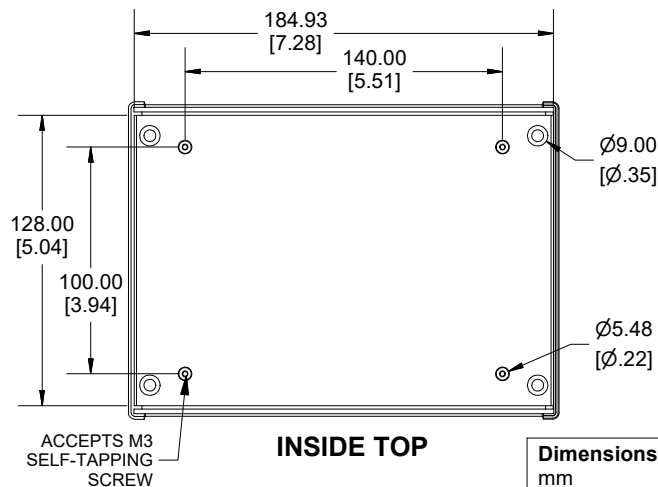
**SECTION B-B  
END VIEW**



**END VIEW**



**INSIDE BOTTOM**



**INSIDE TOP**

**Dimensions:**  
mm  
[inches]

Enclosures can be Factory Modified (Milling, Drilling, Printing etc.)  
Contact Factory (modshop@hammfg.com) for quotes  
Solid models of this enclosure available in .stp or .x\_t  
(Part number and text placement/orientation on our products are subject to change,  
we do not recommend using them as a locating reference for modification purposes)

**NOTE**

Purchased assembly includes box, lid, 2 end panels, 4 PCB screws, and 4 lid screws.  
Enclosure molded from GPABS Plastic  
Recommended Torque : (43-50) Ozf.in / (30-35) cN.m

RM Enclosure	
General Purpose ABS Light Grey (UL94 HB)	RM2055M
ACCESSORIES	
Lid Screw (M3X 20mm)	SC610-50
PCB Screw (M3 X 6mm Self-tapping)	SC622-50
Folding Feet Kit	FT-01

**RM2055M**  
www.hammondmfg.com