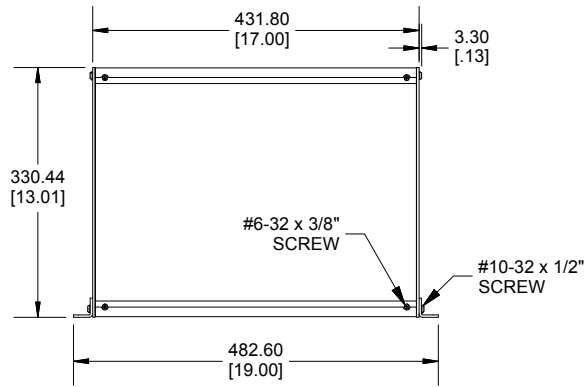
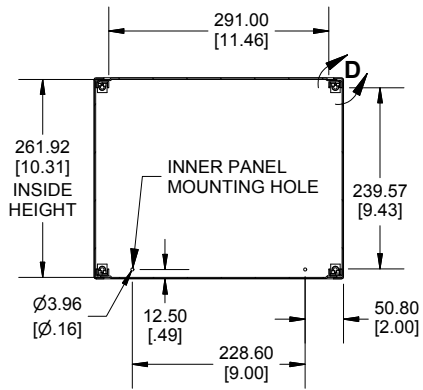
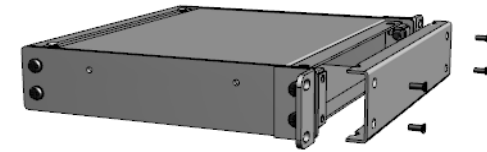


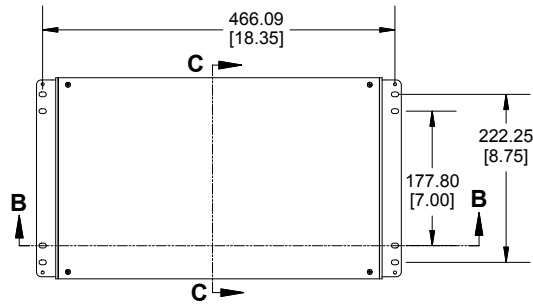
DETAIL D



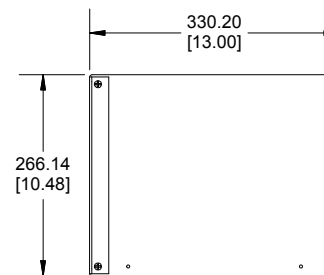
TOP VIEW



**SECTION C-C
INSIDE SIDE VIEW**



FRONT VIEW



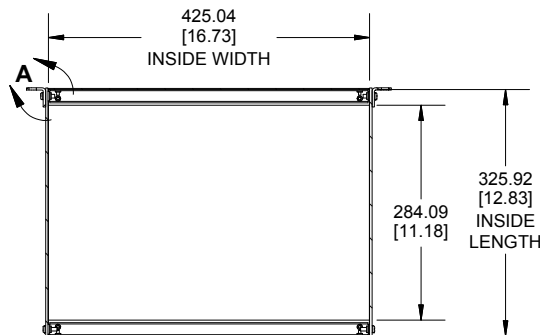
SIDE VIEW

Enclosures can be Factory Modified (Milling, Drilling, Printing etc.)
 Contact Factory mjm@hammondmfg.com for quotes
 Solid models of this enclosure available in STEP or IGES.
 (Part number and text placement/orientation on our products are subject to change,
 we do not recommend using them as a locating reference for modification purposes)

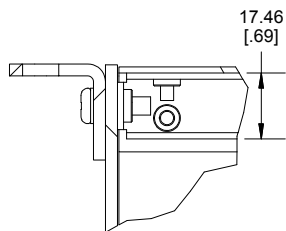
NOTE

Purchased assembly includes; 2 front/rear panels, 2 top/bottom panels, 2 side panels, 2 mounting tabs, 4 inner brackets, 24 screws and 4 rubber feet.
 Product is not assembled for shipping purposes.

Recommended Cover screw torque -- 8.9-9.4 lbf-in (100-110 cN-m)



**SECTION B-B
INSIDE BOTTOM VIEW**



DETAIL A

RMCS	
RMCS191013 Regular Enclosure	
Economy Rack Chassis Black	RMCS191013BK1
Economy Rack Vented Chassis Black	RMCS191013BK1
ACCESSORIES	
Inner Panel	RMP1913
Front & Rear Panel	RMCP10 (Textured Black)
	RMCP10BK (Smooth Black)
	RMCP10CG (Beige)
Inner Panel screws Black (#6-32 1/2) (60 pkg)	SC536BK-50
Replacement Hardware Kit:	
#10-32 X 5/8" Pan head black, qty 8	RMCHDWKIT
#6-32 X 3/8" Flat head black, qty 16	
20.5 X 20.5 X 7.6 Rubber Bump, qty 4	

Dimensions:
 mm
 [inches]

**HAMMOND
MANUFACTURING**

RMCS191013

www.hammondmfg.com