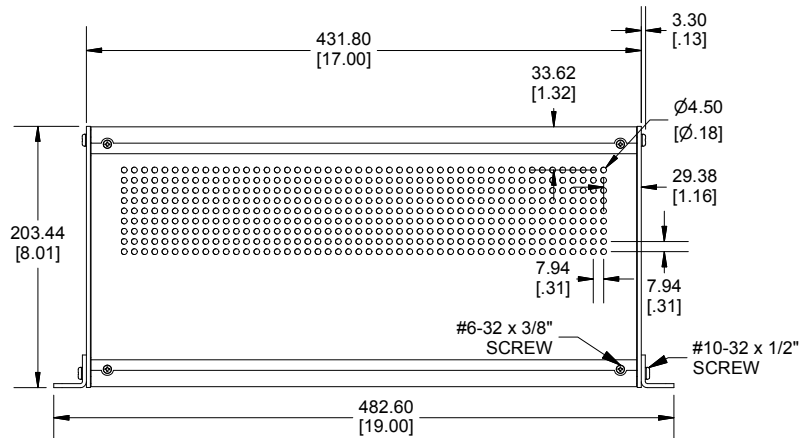
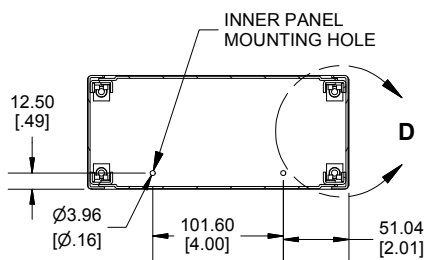
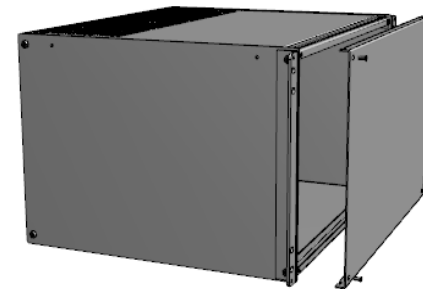


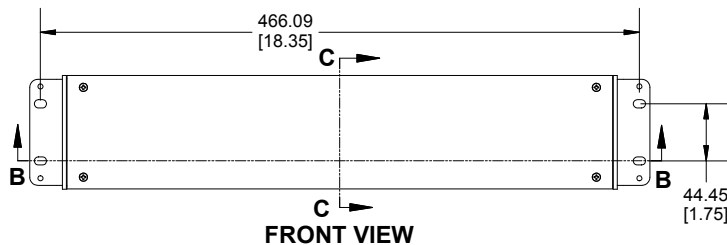
DETAIL D



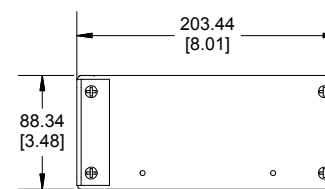
TOP VIEW



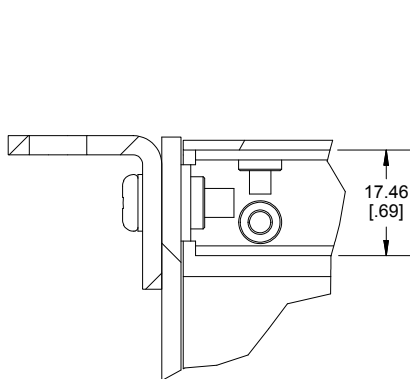
**SECTION C-C
INSIDE SIDE VIEW**



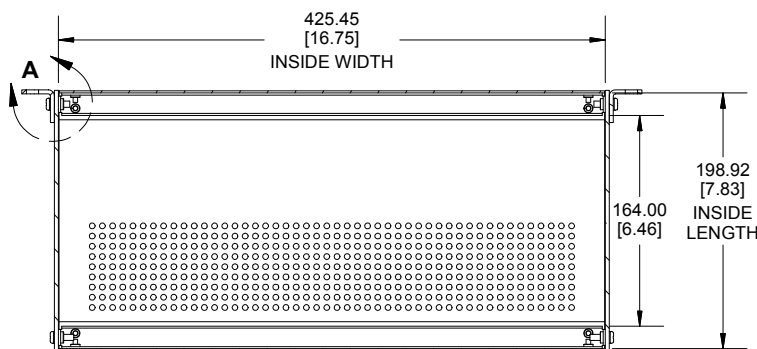
FRONT VIEW



SIDE VIEW



DETAIL A



**SECTION B-B
INSIDE BOTTOM VIEW**

Enclosures can be Factory Modified (Milling, Drilling, Printing etc.)
 Contact Factory mjm@hammondmfg.com for quotes
 Solid models of this enclosure available in STEP or IGES.
 (Part number and text placement/orientation on our products are subject to change,
 we do not recommend using them as a locating reference for modification purposes)

NOTE

Purchased assembly includes; 2 front/rear panels, 2 top/bottom panels, 2 side panels, 2 mounting tabs, 4 inner brackets, 24 screws and 4 rubber feet.
 Product is not assembled for shipping purposes.

Recommended Cover screw torque -- 8.9-9.4 lbf-in (100-110 cN-m)

RMCV

RMCV19038 Regular Enclosure

Economy Rack Chassis Black	RMCS19038BK1
Economy Rack Vented Chassis Black	RMCV19038BK1

ACCESSORIES

Inner Panel	RMP1908
Front & Rear Panel	RMCP3 (Textured Black)
	RMCP3BK (Smooth Black)
	RMCP3CG (Beige)
Inner Panel screws Black (#6-32 1/2) (50 pkg)	SC536BK-50

Replacement Hardware Kit:

- #10-32 X 5/8" Pan head black, qty 8
- #6-32 X 3/8" Flat head black, qty 16
- 20.5 X 20.5 X 7.6 Rubber Bump, qty 4

RMCHDWKIT

Dimensions:
mm
[inches]

**HAMMOND
MANUFACTURING**

RMCV19038

www.hammondmfg.com