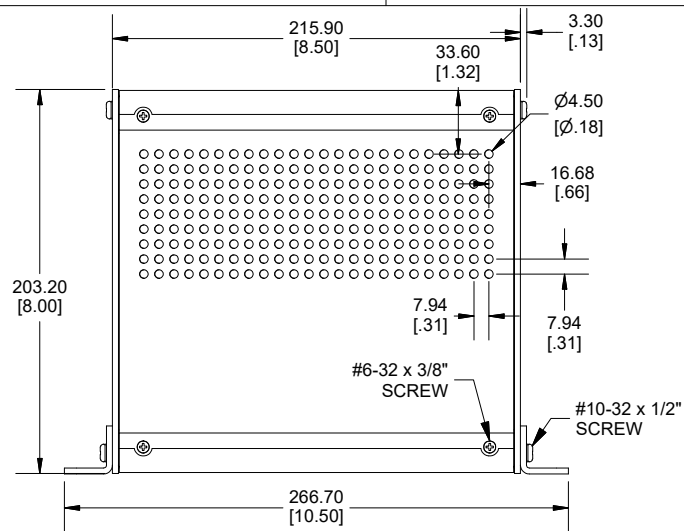
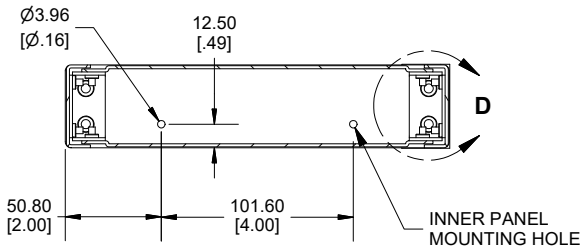
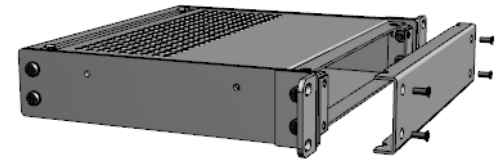


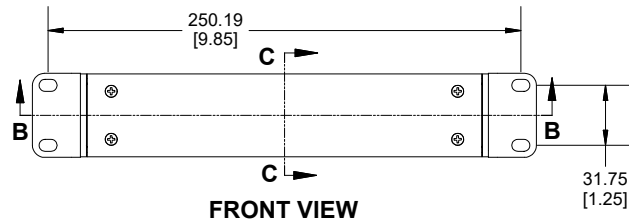
DETAIL D



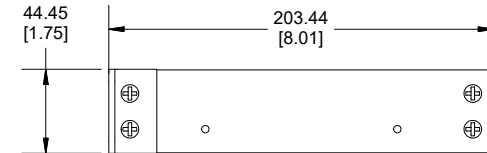
TOP VIEW



**SECTION C-C
INSIDE SIDE VIEW**



FRONT VIEW



SIDE VIEW

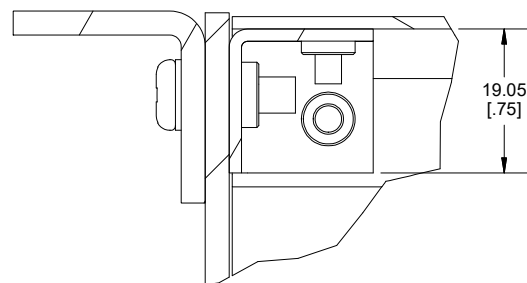
Enclosures can be Factory Modified (Milling, Drilling, Printing etc.)
 Contact Factory (modshop@hammfg.com) for quotes
 Solid models of this enclosure available in .stp or .x_t
 (Part number and text placement/orientation on our products are subject to change,
 we do not recommend using them as a locating reference for modification purposes)

NOTE

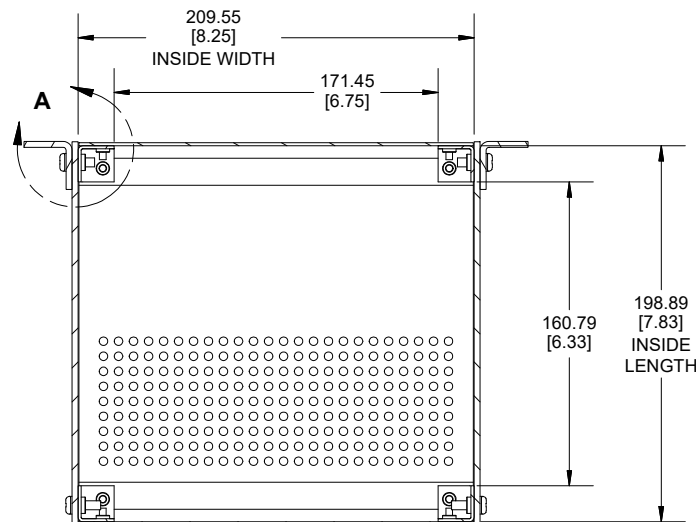
Purchased assembly includes; 2 front/rear panels, 2 top/bottom panels, 2 side panels, 2 mounting tabs, 4 inner brackets, 24 screws and 4 rubber feet.
 Product is not assembled for shipping purposes.

Recommended Cover screw torque -- 8.9-9.4 lbf-in (100-110 cN-m)

RMCV	
RMCV9018 Regular Enclosure	
Economy Rack Chassis Black	RMCS9018BK1
Economy Rack Vented Chassis Black	RMCV9018BK1
ACCESSORIES	
Inner Panel	RMP908
Inner Panel screws Black (#6-32 1/2) (50 pkg)	SC536BK-50
Replacement Hardware Kit: #10-32 X 5/8" Pan head black, qty 8 #6-32 X 3/8" Flat head black, qty 16 20.5 X 20.5 X 7.6 Rubber Bump, qty 4	RMCHDWKIT



DETAIL A



**SECTION B-B
INSIDE BOTTOM VIEW**

Dimensions:
mm
[inches]

**HAMMOND
MANUFACTURING.**
RMCV9018
 www.hammondmfg.com