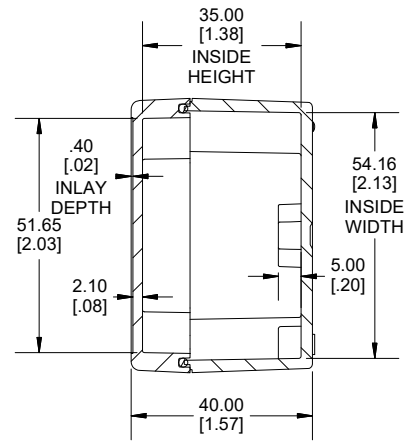
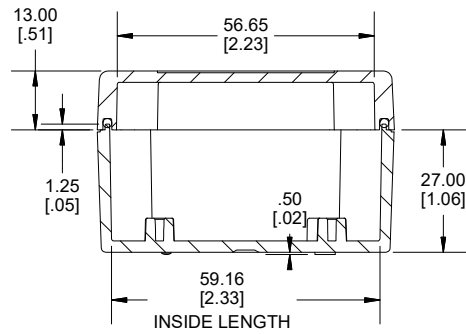
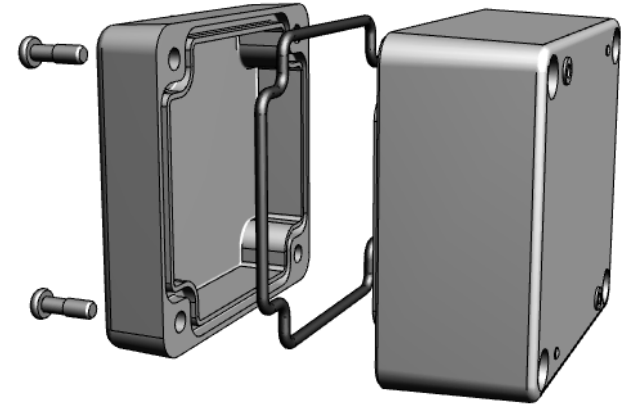


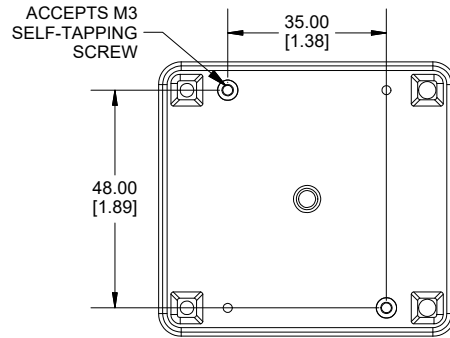
TOP VIEW



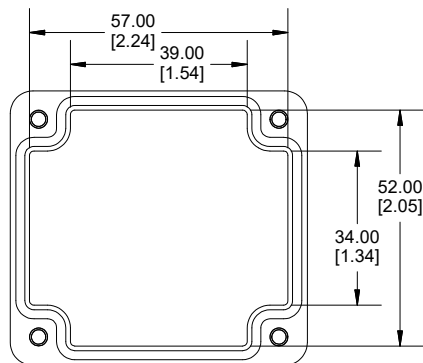
END VIEW SECTION A-A



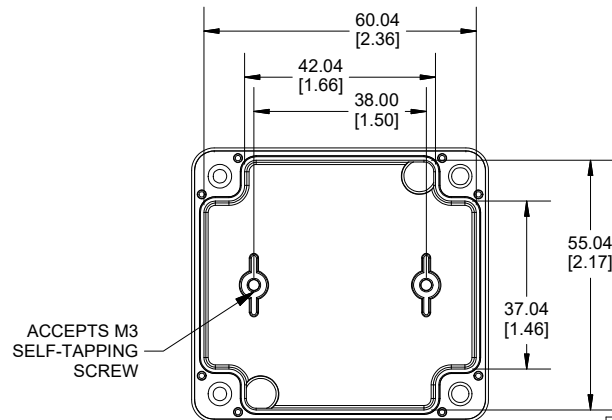
SIDE VIEW SECTION B-B



MOUNTING HOLES



INSIDE LID



INSIDE BOX

Enclosures can be Factory Modified (Milling, Drilling, Printing etc.)
 Contact Factory (modshop@hammfg.com) for quotes
 Solid models of this enclosure available in .stp or .x_t
 (Part number and text placement/orientation on our products are subject to change, we do not recommend using them as a locating reference for modification purposes)

NOTE

Purchased assembly includes box, lid, string gasket, 4 PCB screws, and 4 lid screws.

Recommended Torque : (43-50) Ozf.in / (30-35) cN.m

RP Enclosure

| | |
|---|---------|
| General Purpose ABS Light Grey (UL94 HB) | RP1025 |
| General Purpose ABS Light Grey with Polycarbonate Clear Lid (UL94 HB) | RP1025C |
| Polycarbonate Off-White (UL94-V2) | RP1020 |
| Polycarbonate Off-White with Clear Lid (UL94-V2) | RP1020C |

ACCESSORIES

| | |
|---|-------------|
| Lid Screw (M3.5-0.6 X 10mm) (50 Pkg) | SC619-50 |
| PCB Screw (M3 X 6mm Self-tapping) (50 Pkg) | SC622-50 |
| General Purpose ABS Black Inner Panel 3mm Thick | STC102 |
| Metal Inner Panel 1mm Thick | STA102 |
| String Gasket EPDM Grey (2 Pkg) | RP102GASKET |

HAMMOND MANUFACTURING

RP102

www.hammondmfg.com

Dimensions:
mm
[inches]