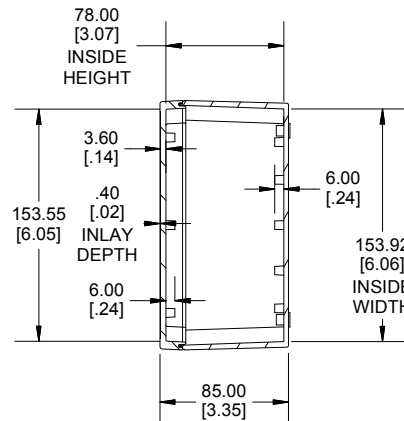
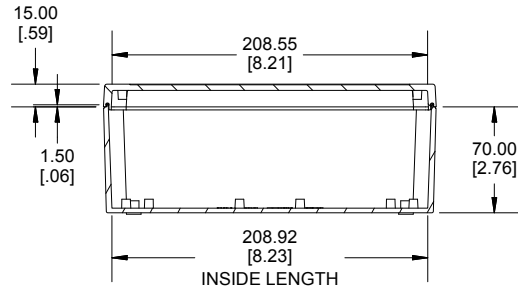
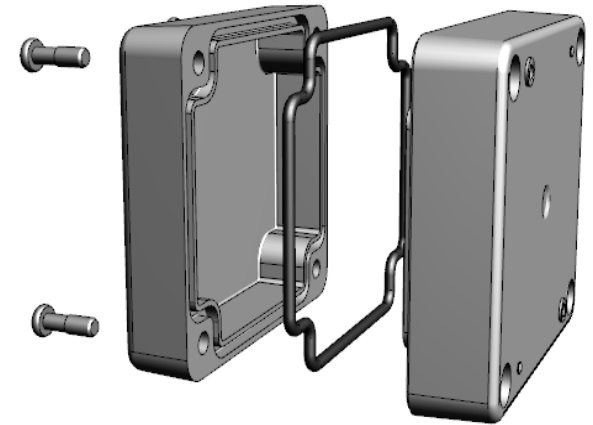


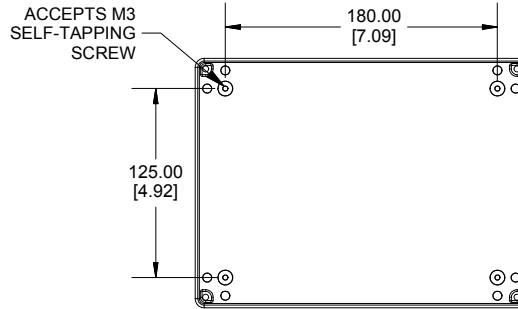
TOP VIEW



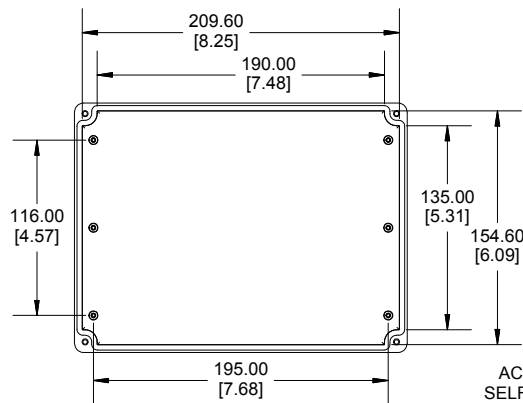
END VIEW SECTION A-A



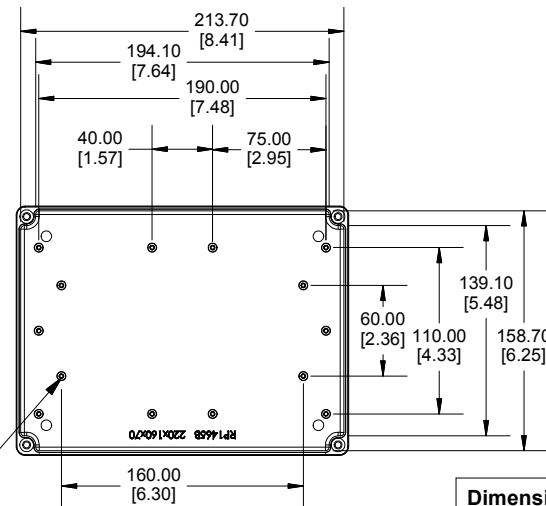
SIDE VIEW SECTION B-B



MOUNTING HOLES



INSIDE LID



INSIDE BOX

Dimensions:  
mm  
[inches]

Enclosures can be Factory Modified (Milling, Drilling, Printing etc.)  
Contact Factory (modshop@hammondmfg.com) for quotes  
Solid models of this enclosure available in .stp or .x\_t  
(Part number and text placement/orientation on our products are subject to change, we do not recommend using them as a locating reference for modification purposes)

**NOTE**

Purchased assembly includes box, lid, string gasket, 4 PCB screws, and 4 lid screws.

Recommended Torque : (43-50) Ozf.in / (30-35) cN.m

**RP Enclosure**

|   |         |
|---|---------|
| General Purpose ABS Light Grey (UL94 HB)                              | RP1465  |
| General Purpose ABS Light Grey with Polycarbonate Clear Lid (UL94 HB) | RP1465C |
| Polycarbonate Off-White (UL94-V2)                                     | RP1460  |
| Polycarbonate Off-White with Clear Lid (UL94-V2)                      | RP1460C |

**ACCESSORIES**

|   |             |
|---|-------------|
| Lid Screw (M3.5-0.6 X 10mm) (50 Pkg)            | SC619-50    |
| PCB Screw (M3 X 6mm Self-tapping) (50 Pkg)      | SC622-50    |
| General Purpose ABS Black Inner Panel 3mm Thick | STC146      |
| Metal Inner Panel 1mm Thick                     | STA146      |
| String Gasket EPDM Grey (2 Pkg)                 | RP145GASKET |

**HAMMOND MANUFACTURING**

**RP146**

www.hammondmfg.com