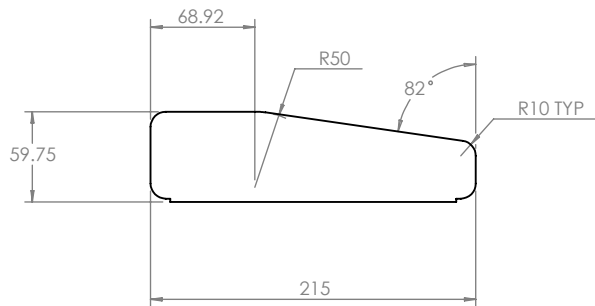
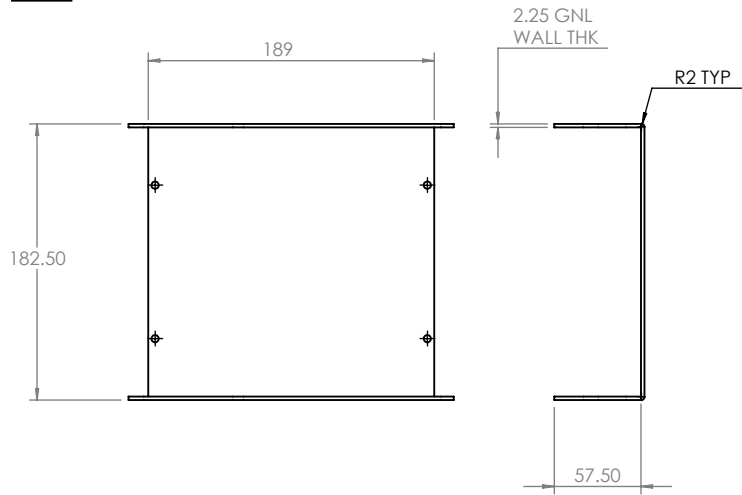
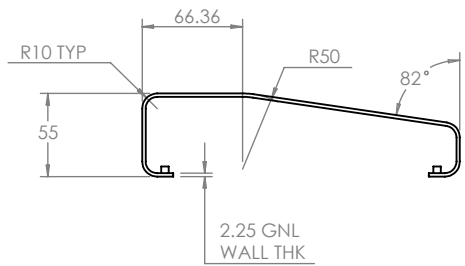
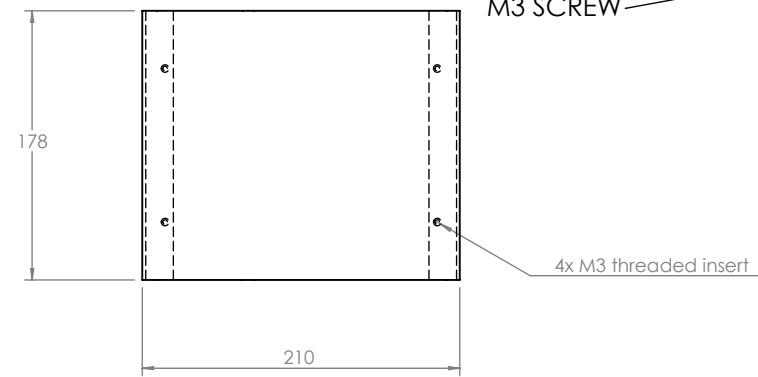


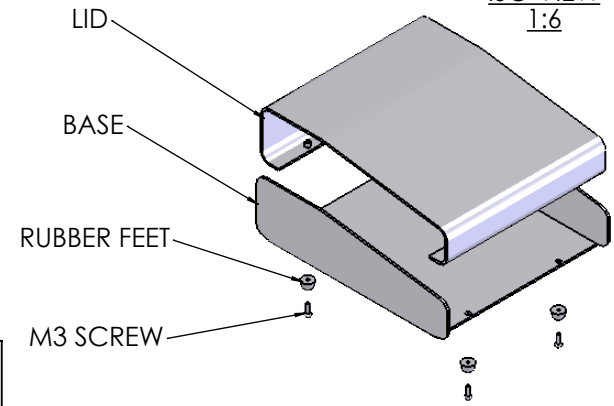
BASE



LID





**ISO VIEW
1:6**



LID
 MATERIAL: 2mm ALUMINIUM
 FINISH: FINE TEXTURED
 POWDER COATED RAL: 1013 OYSTER WHITE

BASE
 MATERIAL: 2mm ALUMINIUM
 FINISH: EGG SHELL
 POWDER COATED RAL: 8014 SEPIA BROWN

| | | | | |
|---|------------|---|--|--------------|
|  CAMDENBOSS JAMES CARTER RD, MILDENHALL, SUFFOLK. IP28 7DE TEL: 01638 716101 FAX: 01638 716554 EMAIL: Sales@CamdenBoss.com WEB: www.CamdenBoss.com | | UNLESS OTHERWISE SPECIFIED: DIMENSIONS ARE IN MILLIMETERS | DO NOT SCALE DRAWING | REVISION. A |
| | | GENERAL TOLERANCES +/- 0.2 | TITLE: ASSEMBLY DRG FOR 2600 | |
| | | FINISH: AS PER ABOVE | DWG NO. | 2601 |
| DRAWN | S.HARDINGE | SJH | 01/03/07 | A4 |
| CHKD | IAN PAGANO | I.P. | 09/05/17 | SHEET 1 OF 1 |
| | | MATERIAL: AS PER ABOVE | SCALE: 1 : 5 | |
| | | PROJECTION.  | | |