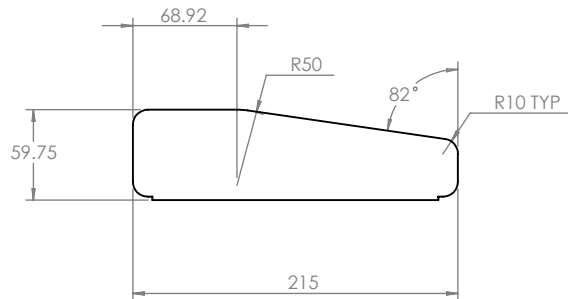
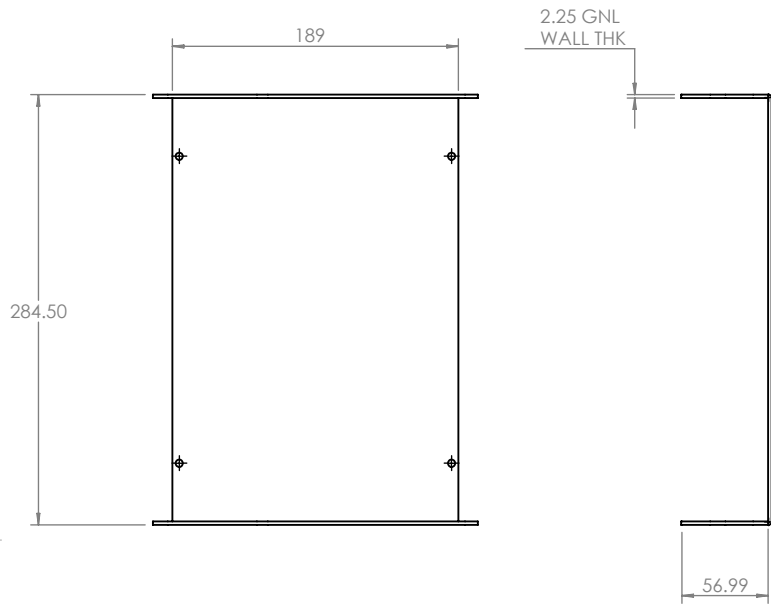
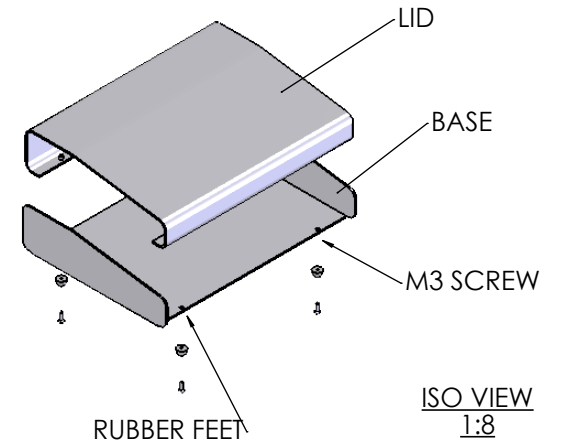
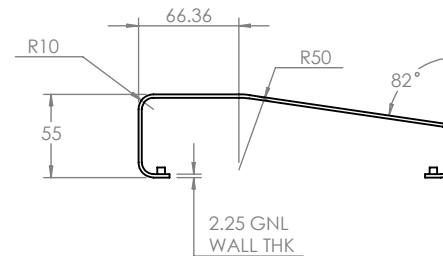
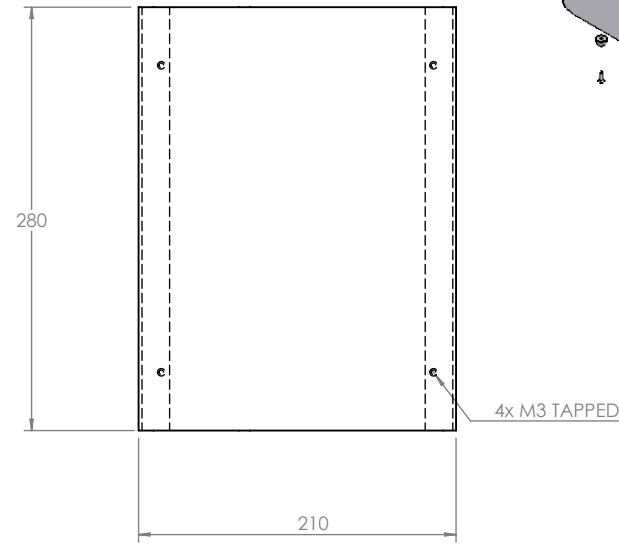


BASE



LID




ISO VIEW
1:8

LID

MATERIAL: 2mm ALUMINIUM
FINISH: FINE TEXTURED
POWDER COATED RAL: 1013 OYSTER WHITE

BASE

MATERIAL: 2mm ALUMINIUM
FINISH: EGG SHELL
POWDER COATED RAL: 8014 SEPIA BROWN

 CAMDENBOSS JAMES CARTER RD, MILDENHALL, SUFFOLK. IP28 7DE TEL: 01638 716101 FAX: 01638 716554 EMAIL: Sales@CamdenBoss.com WEB: www.CamdenBoss.com				UNLESS OTHERWISE SPECIFIED: DIMENSIONS ARE IN MILLIMETERS		DO NOT SCALE DRAWING		REVISION. A	
				FINISH. AS PER ABOVE		TITLE: ASSEMBLY DRG FOR 2602			
DRAWN S.HARDINGE		SIGNED SJH		DATE 01/03/07		MATERIAL. AS PER ABOVE		DWG NO. 2602	
CHKD IAN PAGANO		SIGNED I.P.		DATE 07/06/17		PROJECTION.		SCALE: 1 : 5	
								SHEET 1 OF 1	