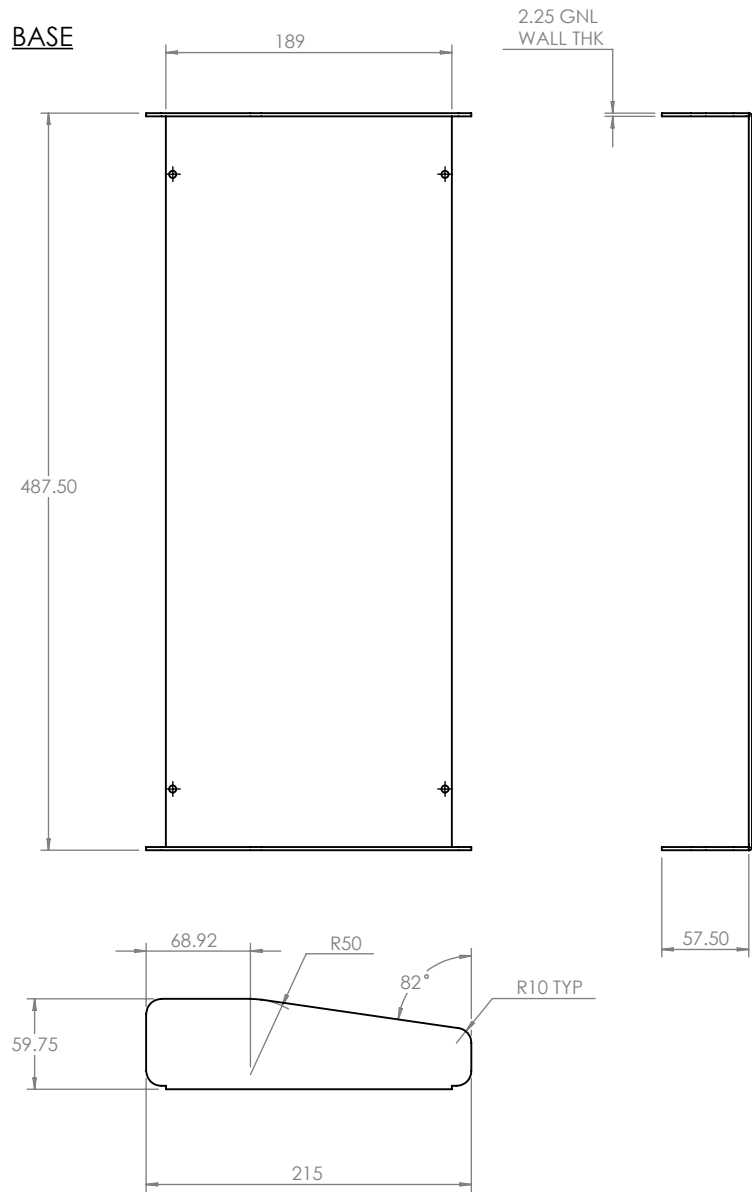
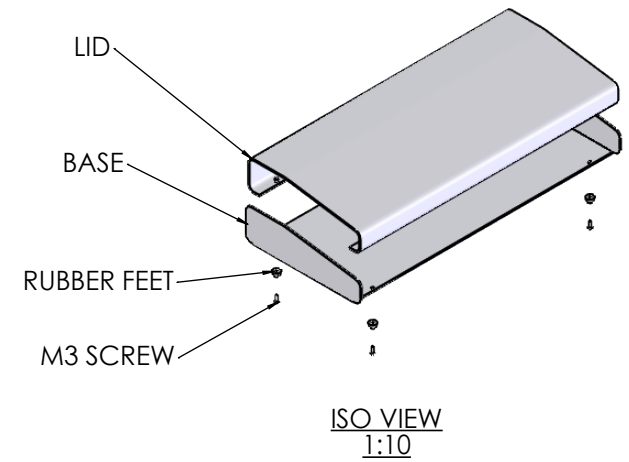
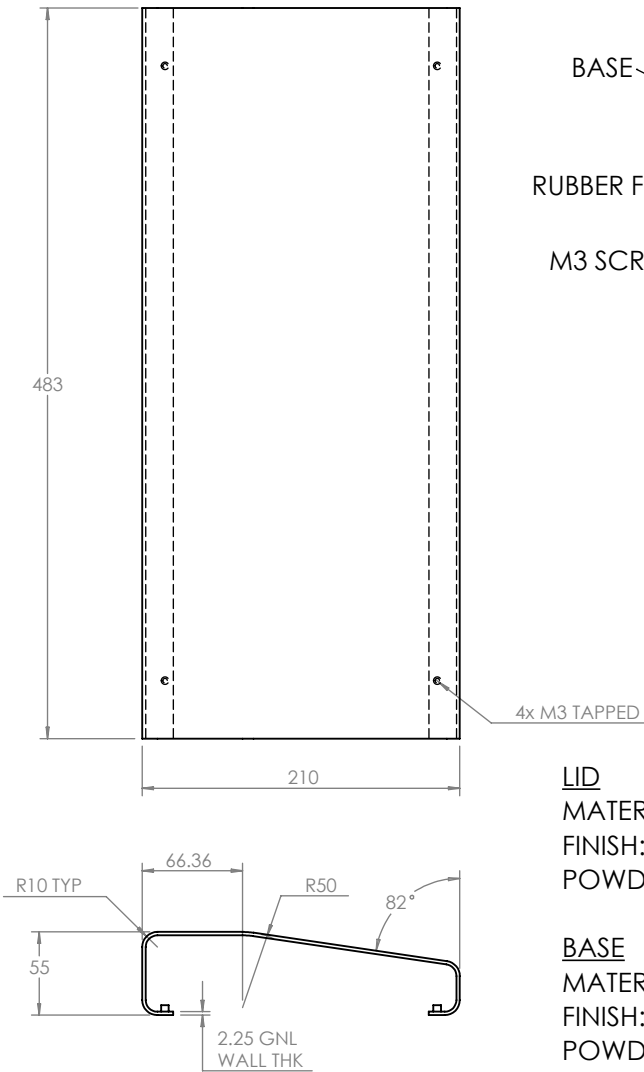


BASE




LID



LID
 MATERIAL: 2mm ALUMINIUM
 FINISH: FINE TEXTURED
 POWDER COATED RAL: 1013 OYSTER WHITE

BASE
 MATERIAL: 2mm ALUMINIUM
 FINISH: EGG SHELL
 POWDER COATED RAL: 8014 SEPIA BROWN

 CAMDENBOSS JAMES CARTER RD, MILDENHALL, SUFFOLK. IP28 7DE TEL: 01638 716101 FAX: 01638 716554 EMAIL: Sales@CamdenBoss.com WEB: www.CamdenBoss.com				UNLESS OTHERWISE SPECIFIED: DIMENSIONS ARE IN MILLIMETERS		DO NOT SCALE DRAWING		REVISION. B	
				FINISH. AS PER ABOVE		TITLE: ASSEMBLY DRG FOR 2604			
DRAWN S.HARDINGE		SIGNED SJH		DATE 01/03/07		MATERIAL. AS PER ABOVE		DWG NO. 2604	
CHKD IAN PAGANO		SIGNED I.P		DATE 07/06/17		PROJECTION.		SCALE: 1 : 5	
								SHEET 1 OF 1	