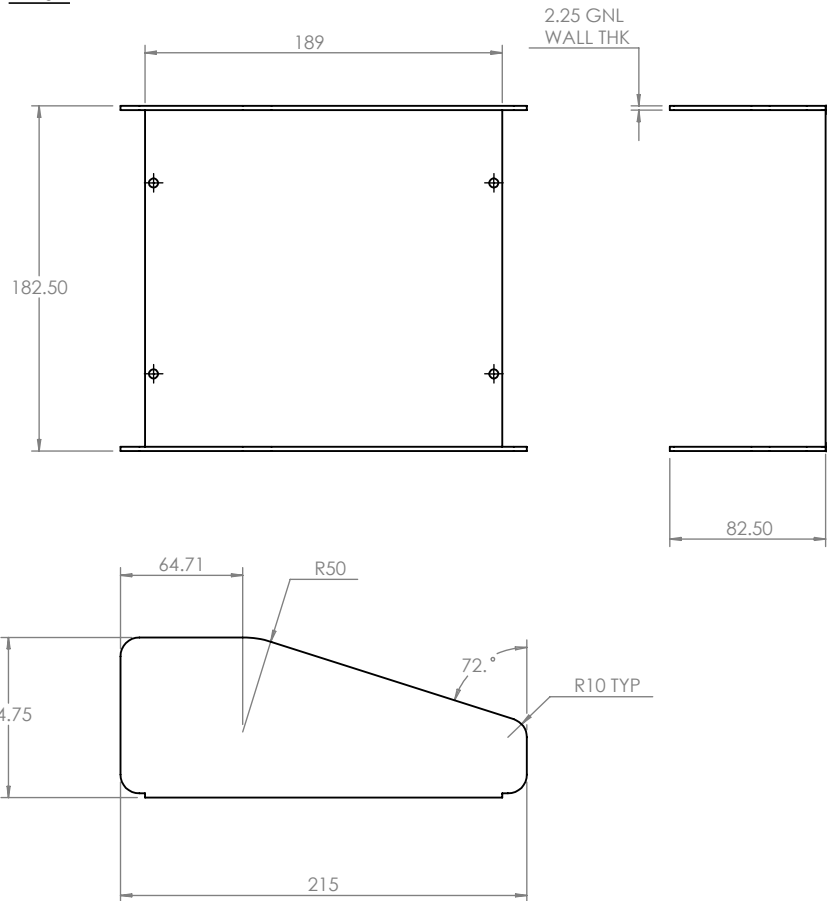
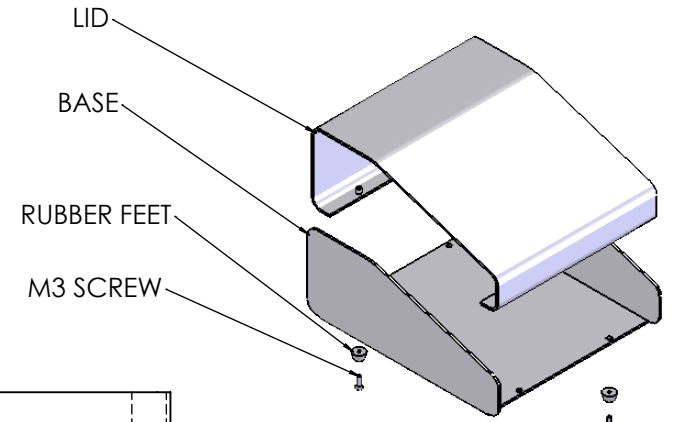
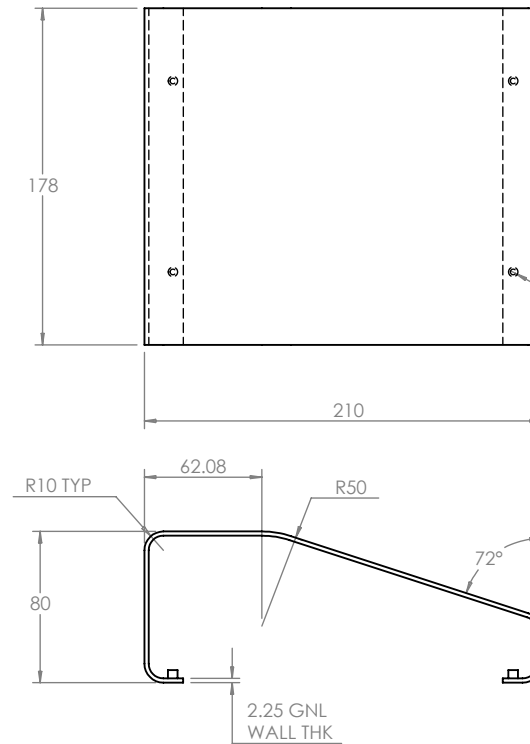


BASE





LID



**ISO VIEW
1:6**

LID
 MATERIAL: 2mm ALUMINIUM
 FINISH: FINE TEXTURED
 POWDER COATED RAL: 1013 OYSTER WHITE

BASE
 MATERIAL: 2mm ALUMINIUM
 FINISH: EGG SHELL
 POWDER COATED RAL: 8014 SEPIA BROWN

 CAMDENBOSS JAMES CARTER RD, MILDENHALL, SUFFOLK. IP28 7DE TEL: 01638 716101 FAX: 01638 716554 EMAIL: Sales@CamdenBoss.com WEB: www.CamdenBoss.com				UNLESS OTHERWISE SPECIFIED: DIMENSIONS ARE IN MILLIMETERS		DO NOT SCALE DRAWING	REVISION. A
				FINISH. AS PER ABOVE		TITLE: ASSEMBLY DRG FOR 2701	
DRAWN S.HARDINGE		SIGNED SJH	DATE 01/03/07	MATERIAL. AS PER ABOVE		DWG NO. 2701	A4
CHKD IAN PAGANO	I.P.	07/06/17	PROJECTION.	 SCALE: 1 : 4		SHEET 1 OF 1	