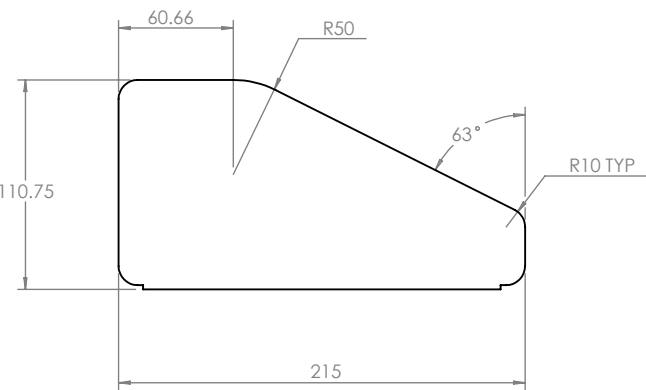
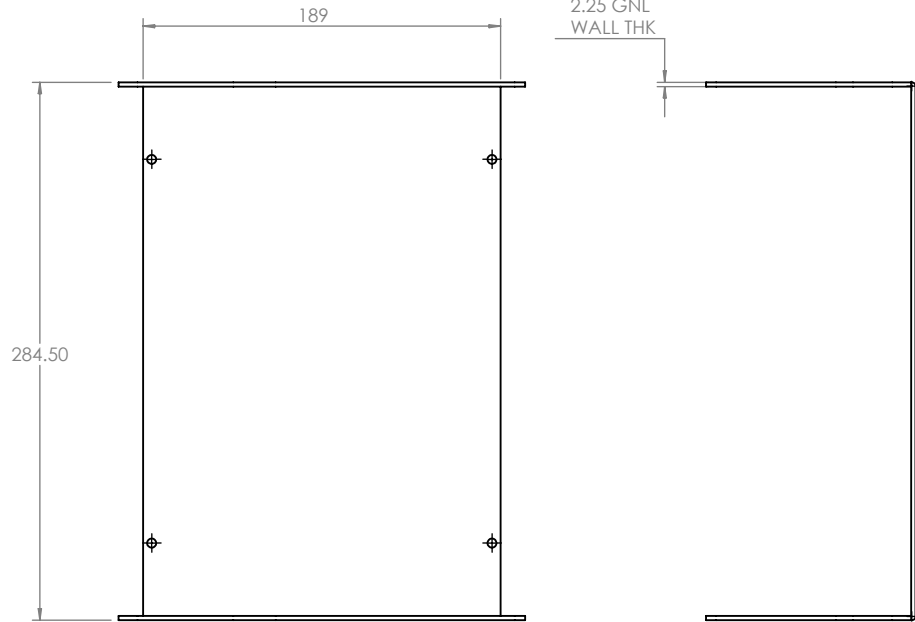
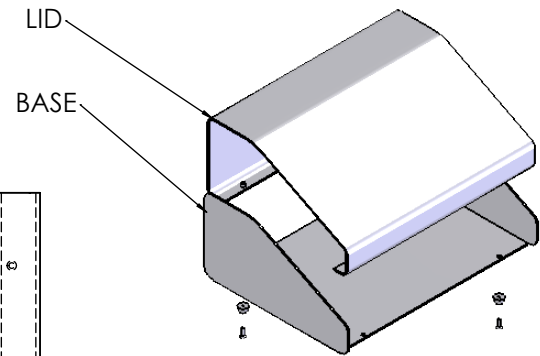
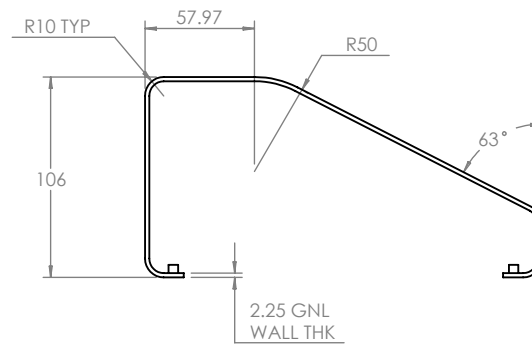
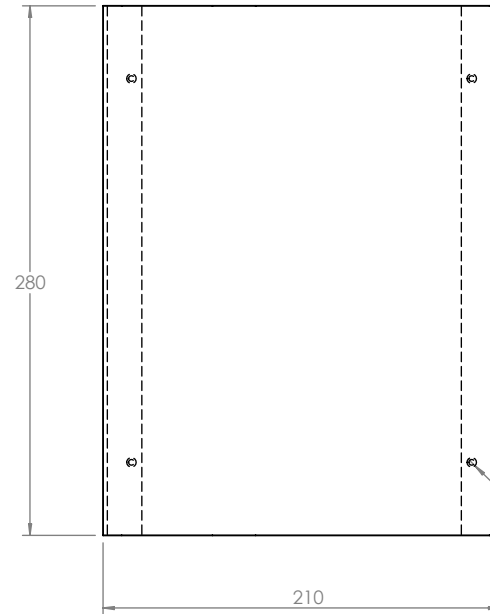


BASE



LID



RUBBER FEET

M3 SCREW

ISO VIEW
1:8


4x M3 TAPPED

LID

MATERIAL: 2mm ALUMINIUM
FINISH: FINE TEXTURED
POWDER COATED RAL: 1013 OYSTER WHITE

BASE

MATERIAL: 2mm ALUMINIUM
FINISH: EGG SHELL
POWDER COATED RAL: 8014 SEPIA BROWN

 CAMDENBOSS JAMES CARTER RD, MILDENHALL, SUFFOLK, IP28 7DE TEL: 01638 716101 FAX: 01638 716554 EMAIL: SALES@CAMDENBOSS.COM WEB: WWW.CAMDENBOSS.COM				UNLESS OTHERWISE SPECIFIED: DIMENSIONS ARE IN MILLIMETERS		DO NOT SCALE DRAWING	REVISION. A
				FINISH. AS PER ABOVE		TITLE: ASSEMBLY DRG FOR 2702	
DRAWN	S.HARDINGE	SJH	01/03/07	MATERIAL. AS PER ABOVE	DWG NO.	2702	A4
CHKD	IAN PAGANO	I.P	07/06/17	PROJECTION.	SCALE: 1 : 4	SHEET 1 OF 1	