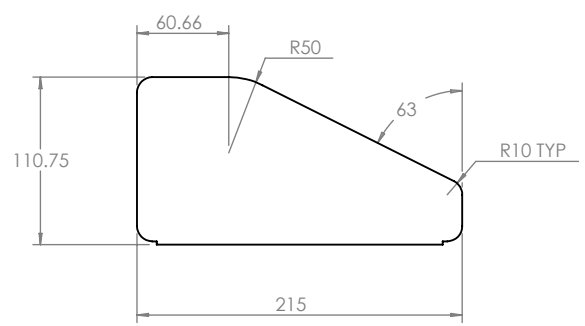
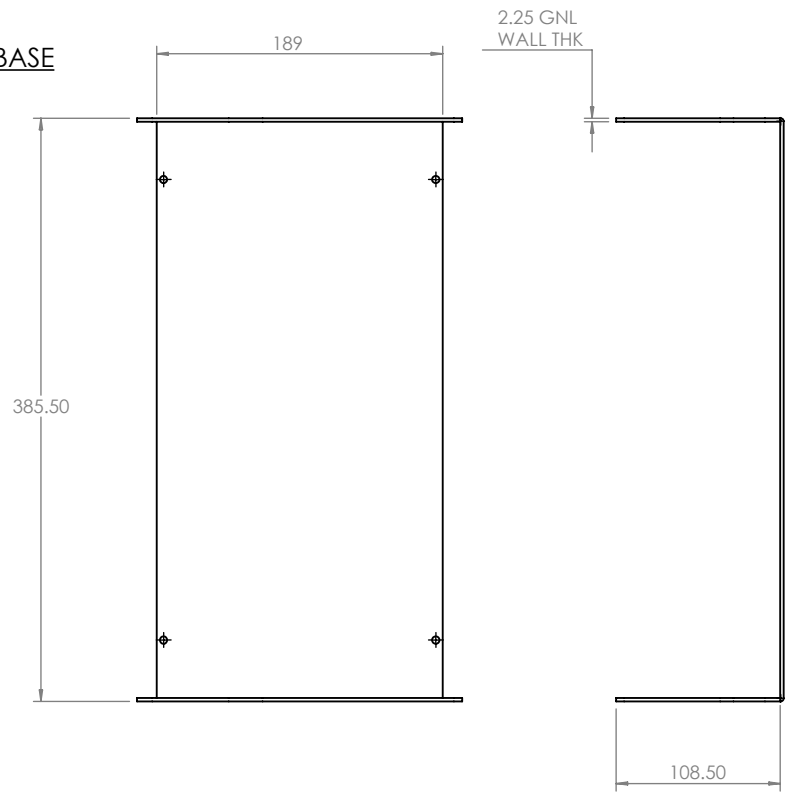
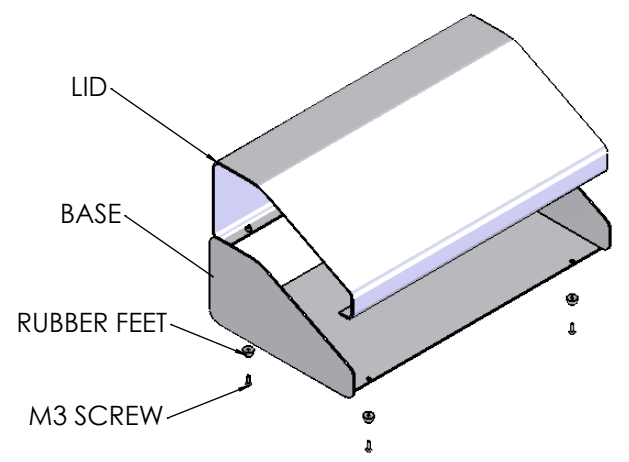
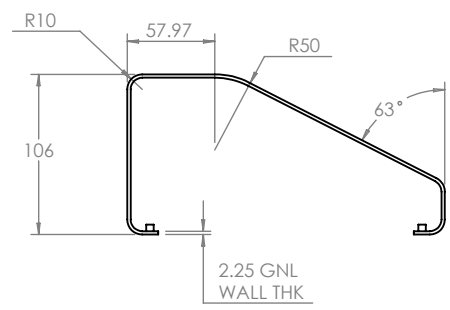
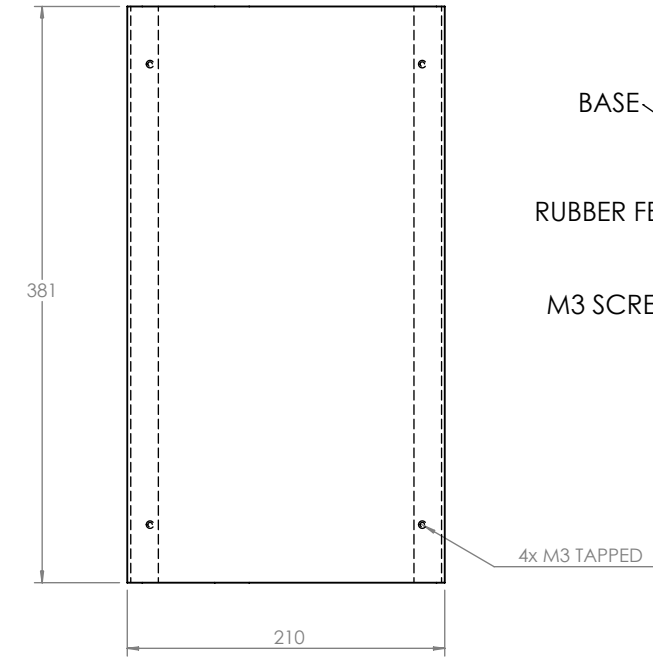


**BASE**





**LID**



**ISO VIEW  
1:8**

**LID**  
 MATERIAL: 2mm ALUMINIUM  
 FINISH: FINE TEXTURED  
 POWDER COATED RAL: 1013 OYSTER WHITE

**BASE**  
 MATERIAL: 2mm ALUMINIUM  
 FINISH: EGG SHELL  
 POWDER COATED RAL: 8014 SEPIA BROWN

 <b>CAMDENBOSS</b> JAMES CARTER RD, MILDENHALL, SUFFOLK. IP28 7DE TEL: 01638 716101 FAX: 01638 716554 EMAIL: Sales@CamdenBoss.com WEB: www.CamdenBoss.com				UNLESS OTHERWISE SPECIFIED: DIMENSIONS ARE IN MILLIMETERS		DO NOT SCALE DRAWING	REVISION. A
				FINISH. <b>AS PER ABOVE</b>		TITLE: <b>ASSEMBLY DRG FOR 2703</b>	
DRAWN	NAME S.HARDINGE	SIGNED SJH	DATE 01/03/07	MATERIAL. <b>AS PER ABOVE</b>	DWG NO. <b>2703</b>	A4	
CHKD	IAN PAGANO	I.P.	07/06/17	PROJECTION. 	SCALE: 1 : 5	SHEET 1 OF 1	