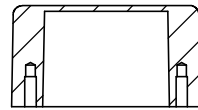
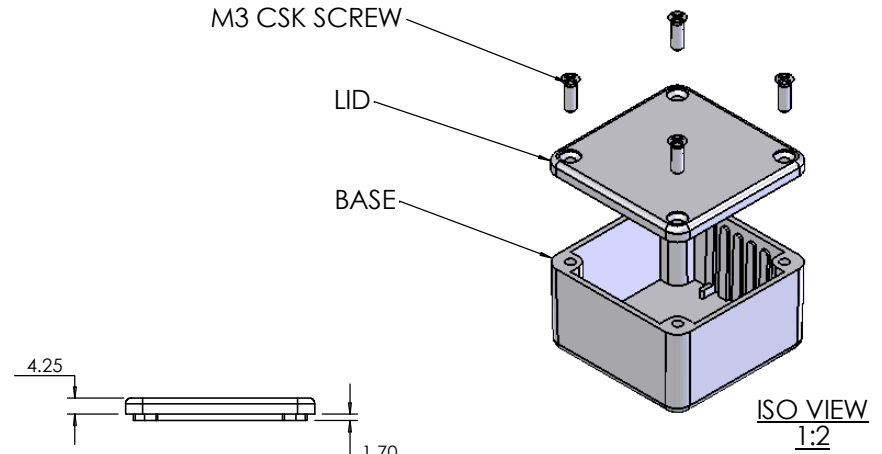


OVERALL ASSEMBLY DIMENSIONS:

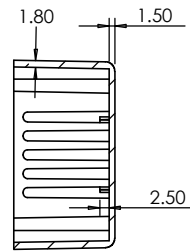
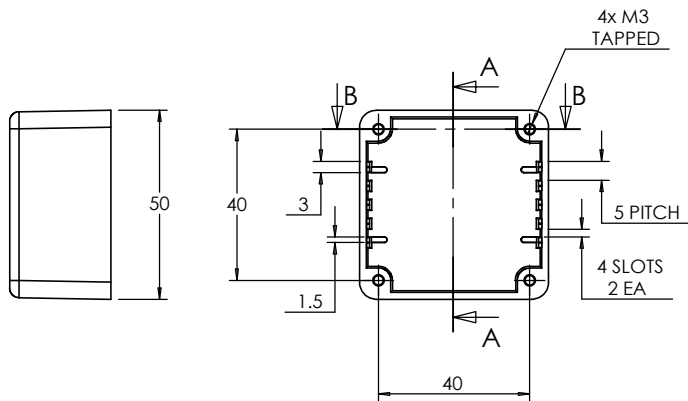
EXTERNAL - 50 x 50 x 31
INTERNAL - 46.4 x 46.4 x 26.8



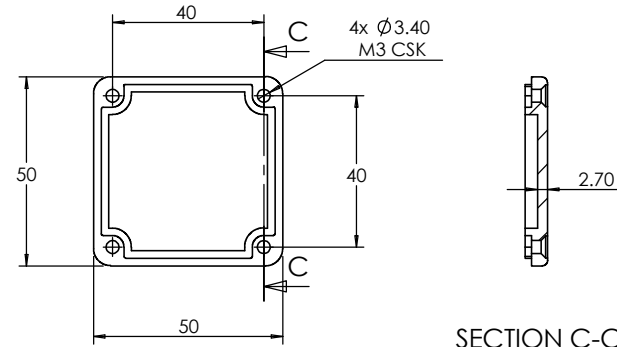
SECTION B-B



ISO VIEW
1:2

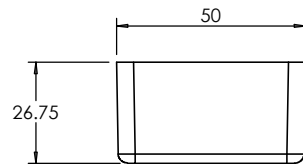



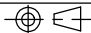
SECTION A-A



SECTION C-C

LID



 CAMDENBOSS JAMES CARTER RD, MILDENHALL, SUFFOLK, IP28 7DE TEL: 01438 716101 FAX: 01438 716554 EMAIL: Sales@CamdenBoss.com WEB: www.CamdenBoss.com				UNLESS OTHERWISE SPECIFIED: DIMENSIONS ARE IN MILLIMETERS		DO NOT SCALE DRAWING		REVISION. 0		
				FINISH. SMOOTH		TITLE: ASSEMBLY DRG FOR 5001/11				
DRAWN S.HARDINGE		SIGNED SJH		DATE 07/12/05		MATERIAL. DIE-CAST ALUMINIUM		DWG NO. 5001,11		A4
CHK'D -		-		-		PROJECTION. 		SCALE. 1 : 2		SHEET 1 OF 1