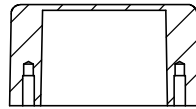
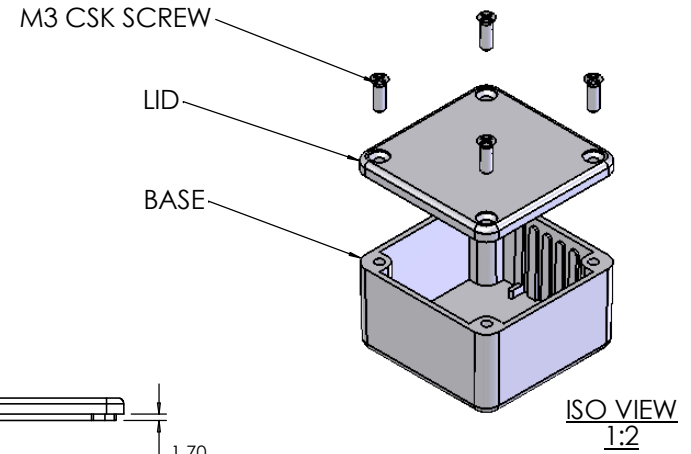


OVERALL ASSEMBLY DIMENSIONS:

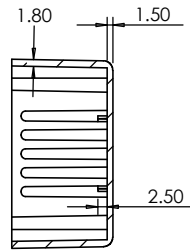
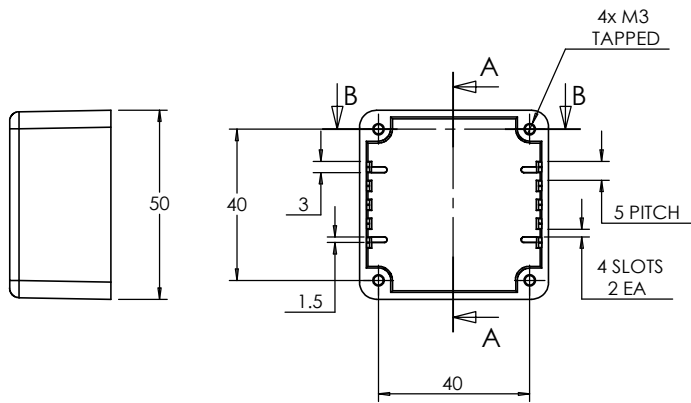
EXTERNAL - 50 x 50 x 31  
 INTERNAL - 46.4 x 46.4 x 26.8



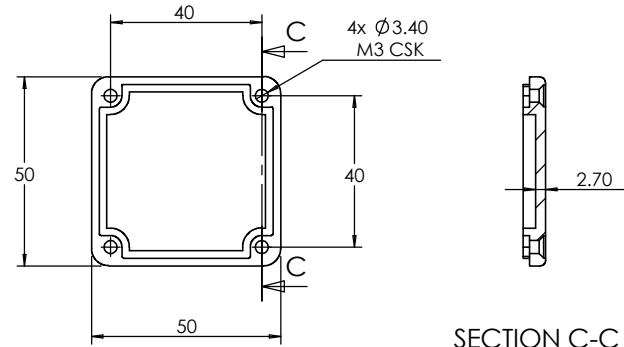
SECTION B-B



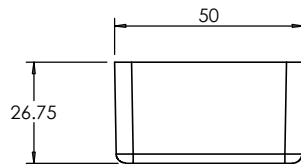
ISO VIEW  
1:2




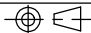
SECTION A-A



SECTION C-C



LID

 <b>CAMDENBOSS</b> JAMES CARTER RD, MILDENHALL, SUFFOLK, IP28 7DE TEL: 01438 716101 FAX: 01438 716554 EMAIL: Sales@CamdenBoss.com WEB: www.CamdenBoss.com				UNLESS OTHERWISE SPECIFIED: DIMENSIONS ARE IN MILLIMETERS		DO NOT SCALE DRAWING		REVISION. 0		
				FINISH. <b>SMOOTH</b>		TITLE: <b>ASSEMBLY DRG FOR 5001/11</b>				
DRAWN S.HARDINGE		SIGNED SJH		DATE 07/12/05		MATERIAL. DIE-CAST ALUMINIUM		DWG NO. <b>5001,11</b>		A4
CHK'D -		-		-		PROJECTION. 		SCALE: 1:2		SHEET 1 OF 1