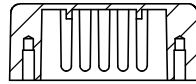


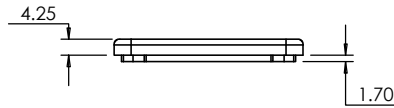
OVERALL ASSEMBLY DIMENSIONS:

EXTERNAL - 101 x 50 x 24.5

INTERNAL - 97.4 x 46.4 x 20.3



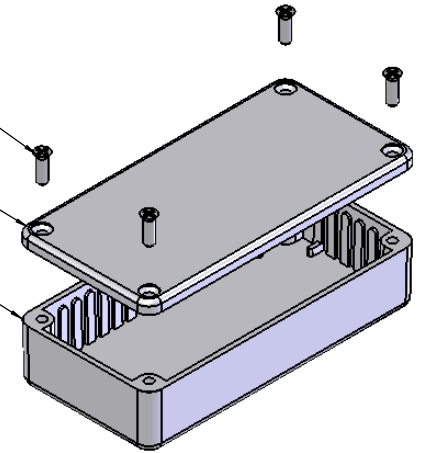
SECTION B-B



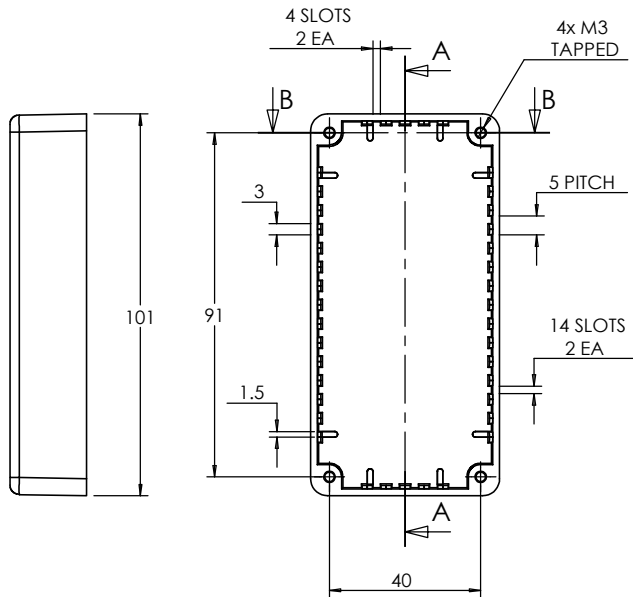
M3 CSK SCREW

LID

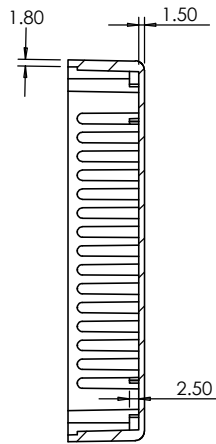
BASE



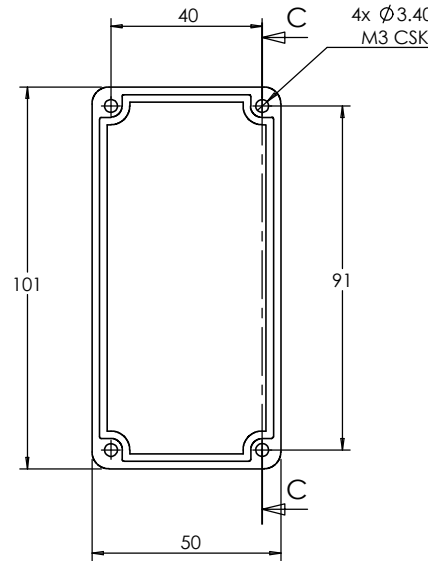
ISO VIEW



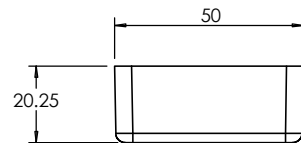
BASE




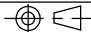
SECTION A-A



SECTION C-C



LID

 CAMDENBOSS JAMES CARTER RD, MILDENHALL, SUFFOLK, IP28 7DE TEL: 01438 716101 FAX: 01438 716554 EMAIL: Sales@CamdenBoss.com WEB: www.CamdenBoss.com				UNLESS OTHERWISE SPECIFIED: DIMENSIONS ARE IN MILLIMETERS		DO NOT SCALE DRAWING		REVISION: 0	
				FINISH: SMOOTH		TITLE: ASSEMBLY DRG FOR 5002/12			
DRAWN S.HARDINGE		SIGNED SJH	DATE 06/12/05	MATERIAL: DIE-CAST ALUMINIUM		DWG NO. 5002,12		A4	
CHK'D -		-	-	PROJECTION: 		SCALE: 1 : 2		SHEET 1 OF 1	