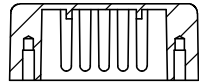


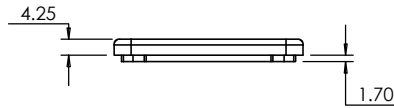
OVERALL ASSEMBLY DIMENSIONS:

EXTERNAL - 101 x 50 x 24.5

INTERNAL - 97.4 x 46.4 x 20.3



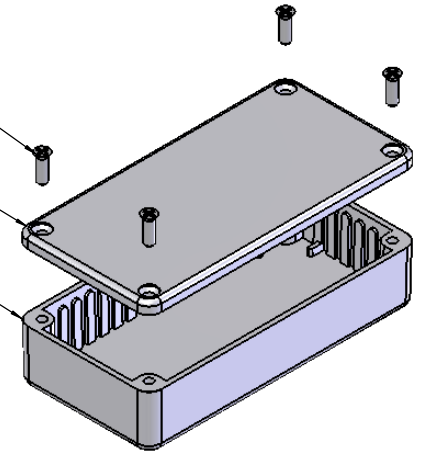
SECTION B-B



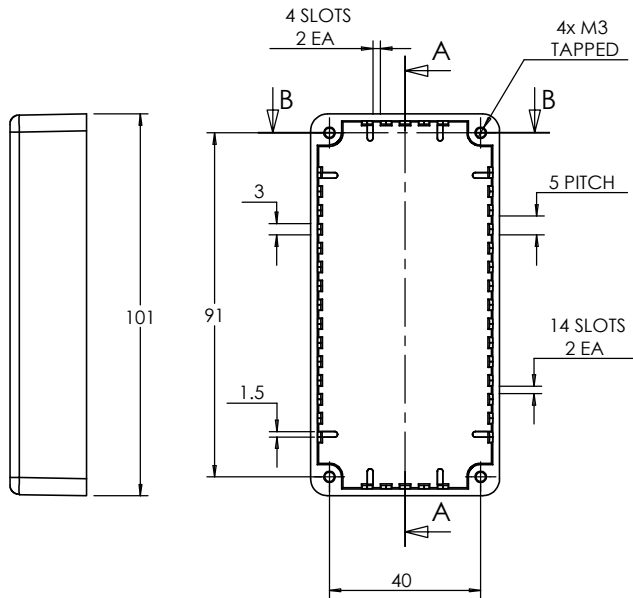
M3 CSK SCREW

LID

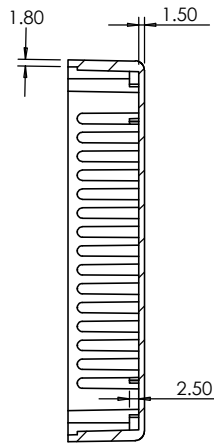
BASE



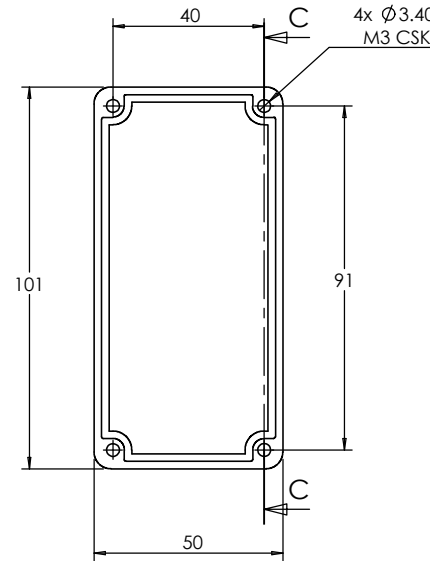
ISO VIEW



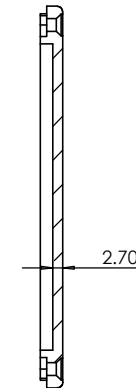
BASE



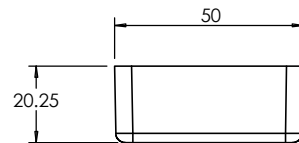
SECTION A-A


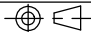


SECTION C-C



LID



 CAMDENBOSS JAMES CARTER RD, MILDENHALL, SUFFOLK, IP28 7DE TEL: 01438 716101 FAX: 01438 716554 EMAIL: Sales@CamdenBoss.com WEB: www.CamdenBoss.com				UNLESS OTHERWISE SPECIFIED: DIMENSIONS ARE IN MILLIMETERS		DO NOT SCALE DRAWING		REVISION: 0	
				FINISH: SMOOTH		TITLE: ASSEMBLY DRG FOR 5002/12			
DRAWN S.HARDINGE		SIGNED SJH		DATE 06/12/05		MATERIAL: DIE-CAST ALUMINIUM		DWG NO. 5002,12	
CHK'D -		-		-		PROJECTION: 		SCALE: 1 : 2	
								SHEET 1 OF 1	

A4