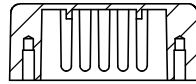


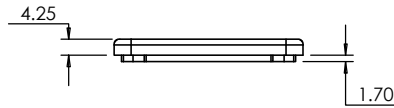
OVERALL ASSEMBLY DIMENSIONS:

EXTERNAL - 101 x 50 x 24.5

INTERNAL - 97.4 x 46.4 x 20.3



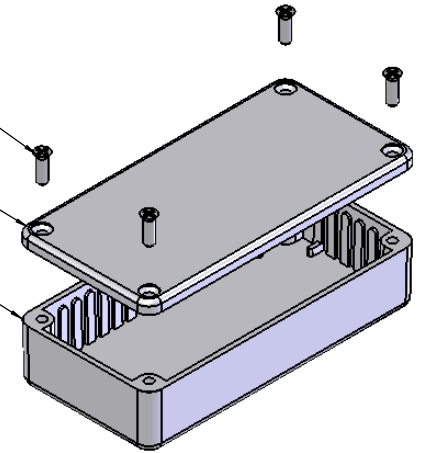
SECTION B-B



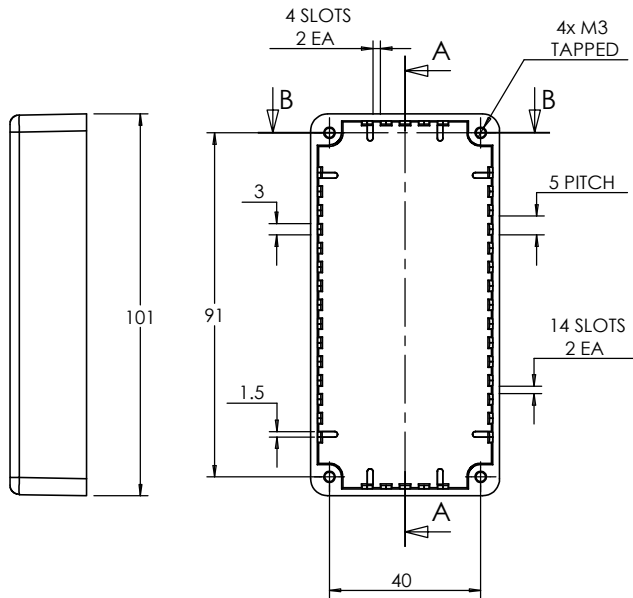
M3 CSK SCREW

LID

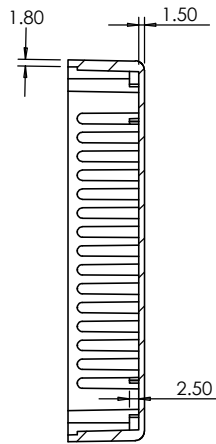
BASE



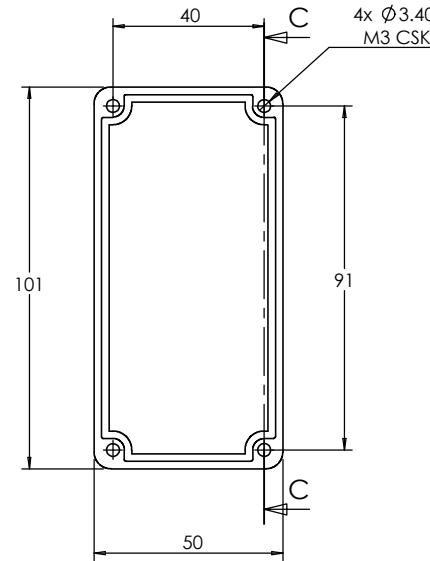
ISO VIEW



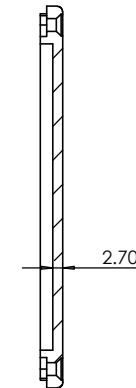
BASE




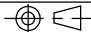
SECTION A-A



SECTION C-C



LID

 <b>CAMDENBOSS</b> JAMES CARTER RD. MILDENHALL, SUFFOLK, IP28 7DE TEL: 01438 716101 FAX: 01438 716554 EMAIL: Sales@CamdenBoss.com WEB: www.CamdenBoss.com				UNLESS OTHERWISE SPECIFIED: DIMENSIONS ARE IN MILLIMETERS		DO NOT SCALE DRAWING	REVISION: 0
				FINISH: <b>SMOOTH</b>		TITLE: <b>ASSEMBLY DRG FOR 5002/12</b>	
DRAWN	S.HARDINGE	SJH	06/12/05	MATERIAL: DIE-CAST ALUMINIUM	DWG NO.	<b>5002,12</b>	A4
CHK'D	-	-	-	PROJECTION: 	SCALE: 1 : 2	SHEET 1 OF 1	