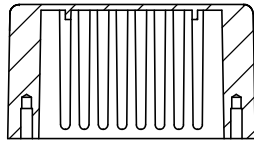


OVERALL ASSEMBLY DIMENSIONS:

EXTERNAL - 120 x 65.5 x 39.75

INTERNAL - 116.4 x 61.9 x 35.5

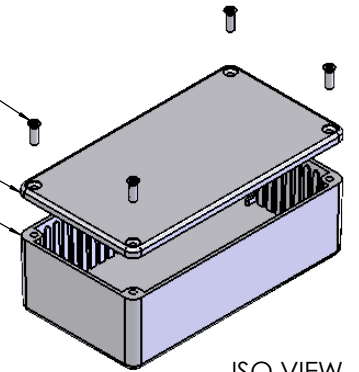


SECTION B-B

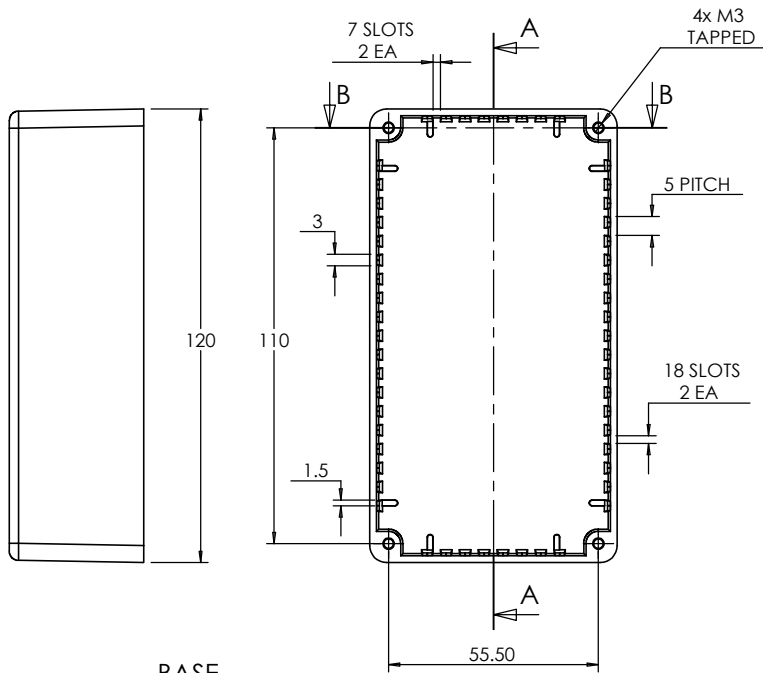
M3 CSK SCREW

LID

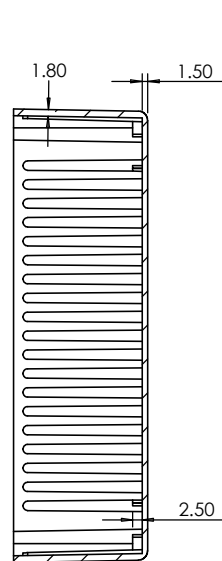
BASE



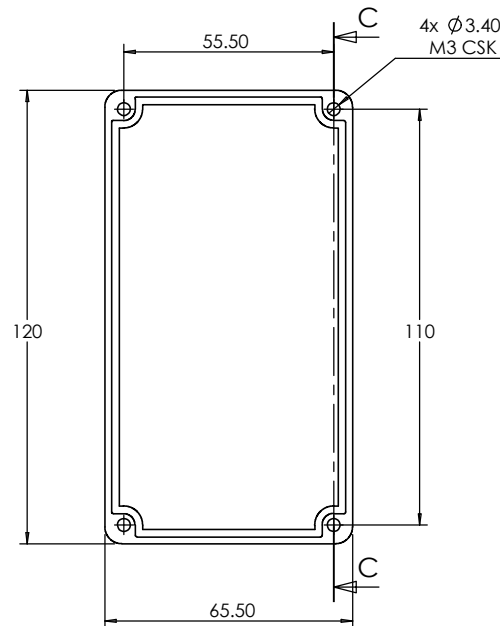
ISO VIEW  
1:3



BASE

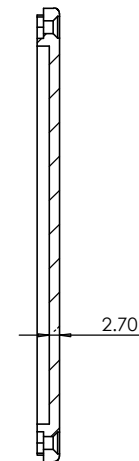



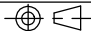
SECTION A-A



SECTION C-C

LID



 <b>CAMDENBOSS</b> JAMES CARTER RD, MILDENHALL, SUFFOLK, IP28 7DE TEL: 01438 716101 FAX: 01438 716554 EMAIL: Sales@CamdenBoss.com WEB: www.CamdenBoss.com				UNLESS OTHERWISE SPECIFIED: DIMENSIONS ARE IN MILLIMETERS		DO NOT SCALE DRAWING		REVISION. 0	
				FINISH. <b>SMOOTH</b>		TITLE: <b>ASSEMBLY DRG FOR 5004/14</b>			
DRAWN S.HARDINGE		SIGNED SJH		DATE 06/12/05		MATERIAL. DIE-CAST ALUMINIUM		DWG NO. <b>5004,14</b>	
CHKD -		-		-		PROJECTION. 		SCALE: 1:2	
								SHEET 1 OF 1	

A4