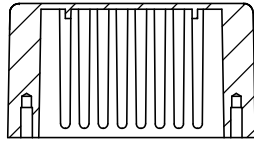


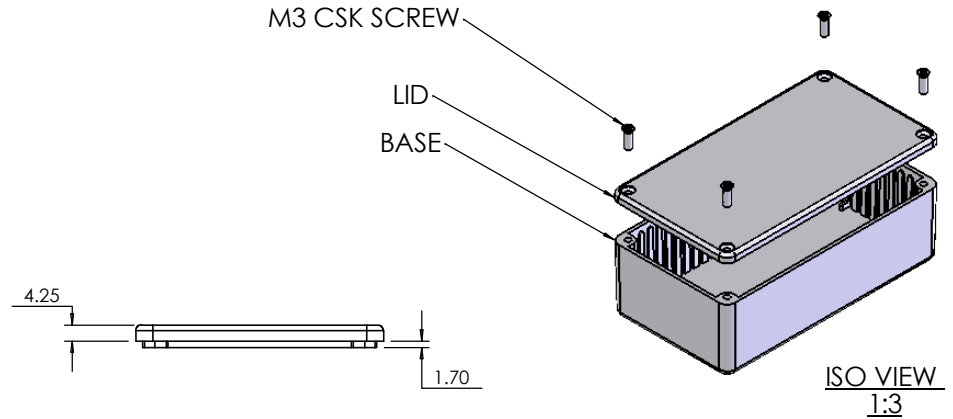
OVERALL ASSEMBLY DIMENSIONS:

EXTERNAL - 120 x 65.5 x 39.75

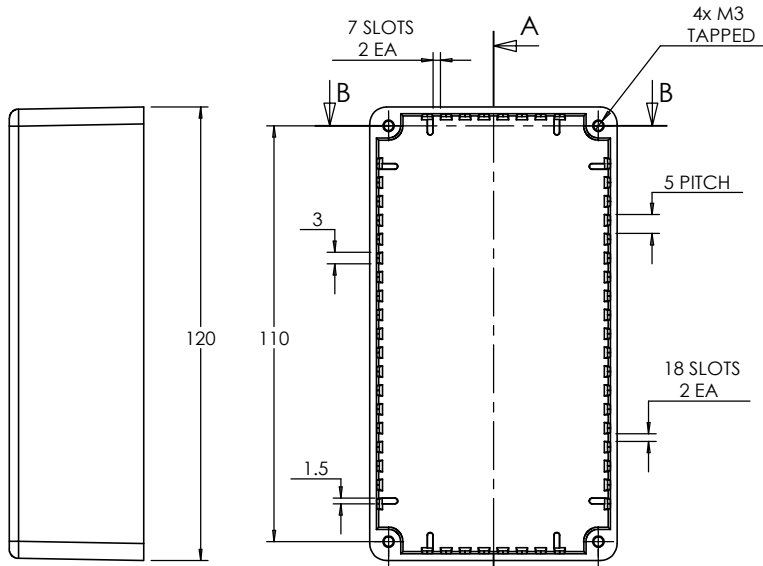
INTERNAL - 116.4 x 61.9 x 35.5



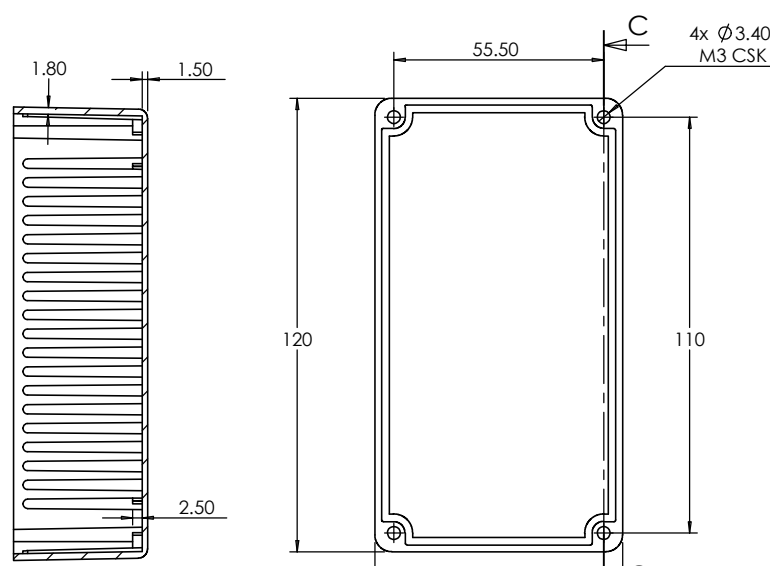
SECTION B-B



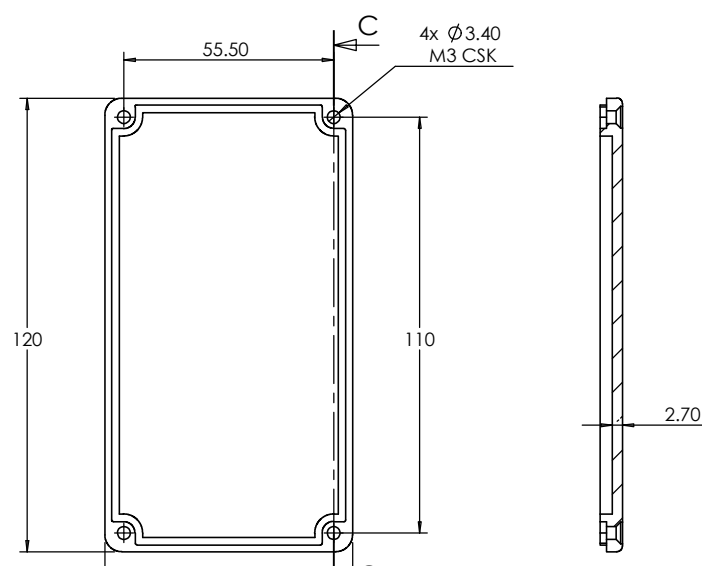
ISO VIEW
1:3



BASE

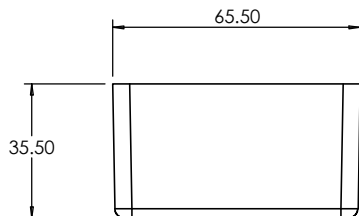



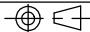
SECTION A-A



SECTION C-C

LID



 CAMDENBOSS JAMES CARTER RD, MILDENHALL, SUFFOLK, IP28 7DE TEL: 01438 716101 FAX: 01438 716554 EMAIL: Sales@CamdenBoss.com WEB: www.CamdenBoss.com				UNLESS OTHERWISE SPECIFIED: DIMENSIONS ARE IN MILLIMETERS		DO NOT SCALE DRAWING		REVISION. 0	
				FINISH. SMOOTH		TITLE: ASSEMBLY DRG FOR 5004/14			
DRAWN S.HARDINGE		SIGNED SJH		DATE 06/12/05		MATERIAL. DIE-CAST ALUMINIUM		DWG NO. 5004,14	
CHKD -		-		-		PROJECTION. 		SCALE: 1:2	
								SHEET 1 OF 1	

A4