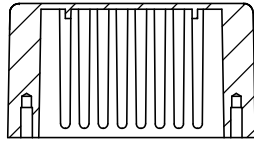


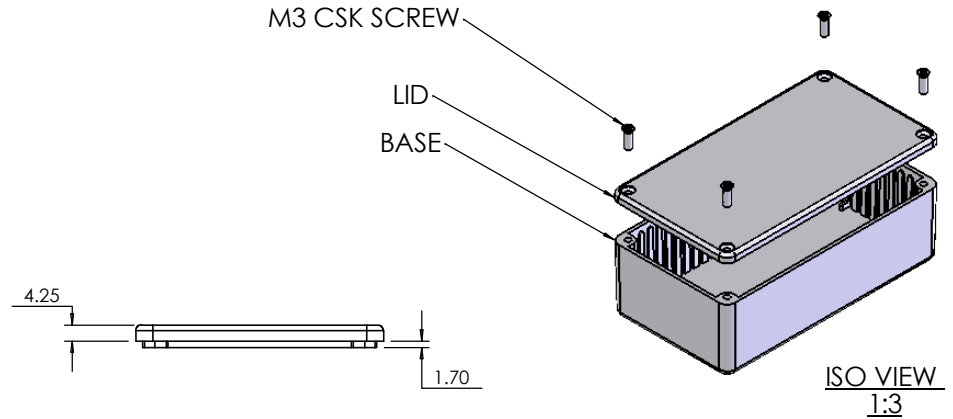
OVERALL ASSEMBLY DIMENSIONS:

EXTERNAL - 120 x 65.5 x 39.75

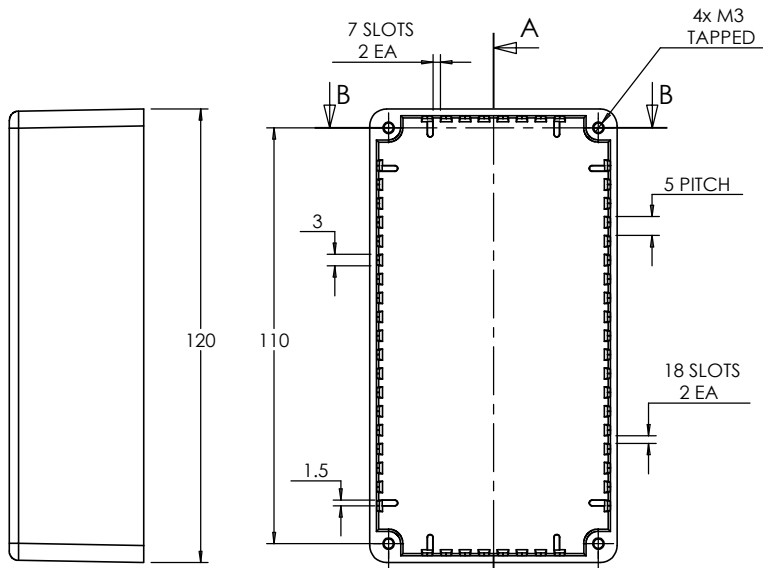
INTERNAL - 116.4 x 61.9 x 35.5



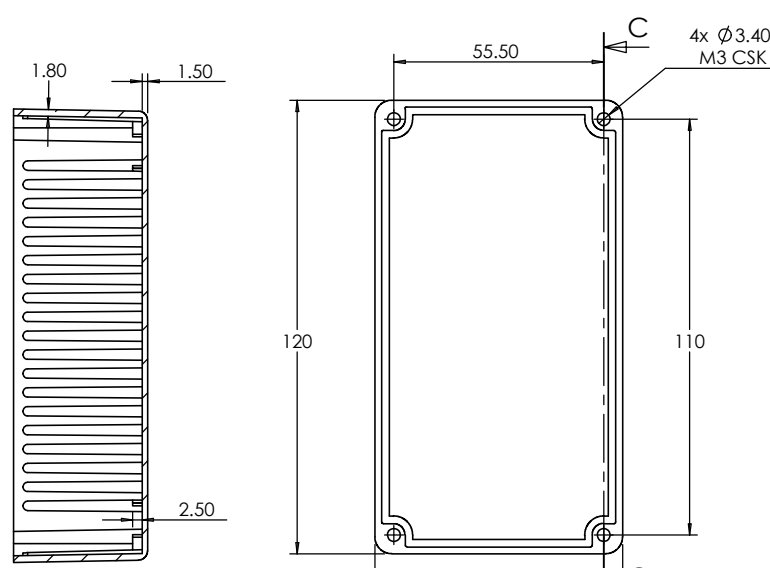
SECTION B-B



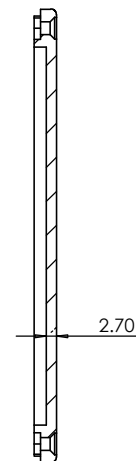
ISO VIEW
1:3



BASE

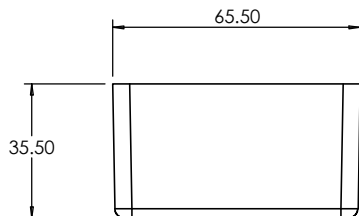



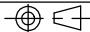
SECTION A-A



SECTION C-C

LID



 CAMDENBOSS JAMES CARTER RD, MILDENHALL, SUFFOLK, IP28 7DE TEL: 01438 716101 FAX: 01438 716554 EMAIL: Sales@CamdenBoss.com WEB: www.CamdenBoss.com				UNLESS OTHERWISE SPECIFIED: DIMENSIONS ARE IN MILLIMETERS		DO NOT SCALE DRAWING	REVISION: 0
				FINISH: SMOOTH		TITLE: ASSEMBLY DRG FOR 5004/14	
DRAWN	S.HARDINGE	SJH	06/12/05	MATERIAL: DIE-CAST ALUMINIUM	DWG NO.	5004,14	A4
CHK'D	-	-	-	PROJECTION: 	SCALE: 1:2	SHEET 1 OF 1	