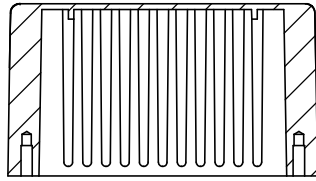


OVERALL ASSEMBLY DIMENSIONS:

EXTERNAL  $\pm 0.2$  - 152 x 82 x 49.75

INTERNAL  $\pm 0.1$  - 149.4 x 78.4 x 45.5

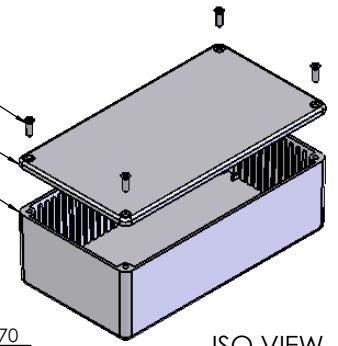


SECTION B-B

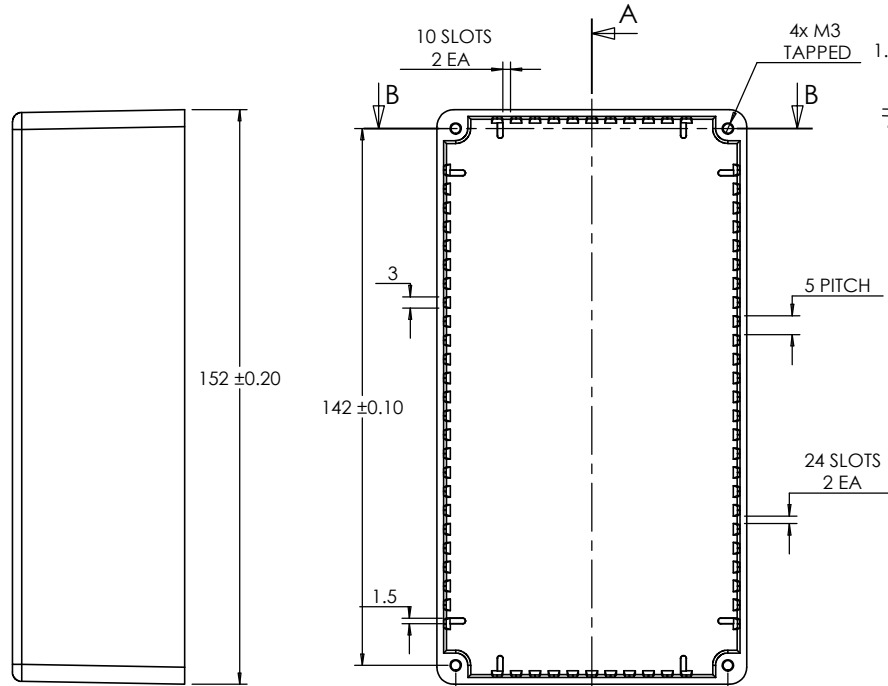
M3 CSK SCREW

LID

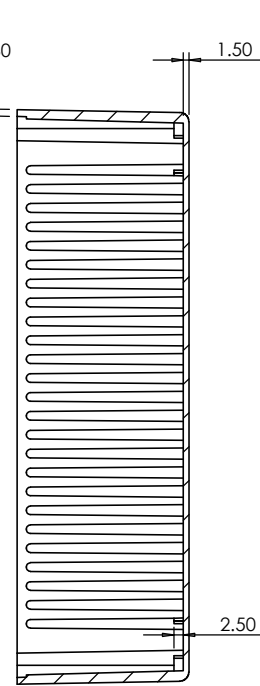
BASE



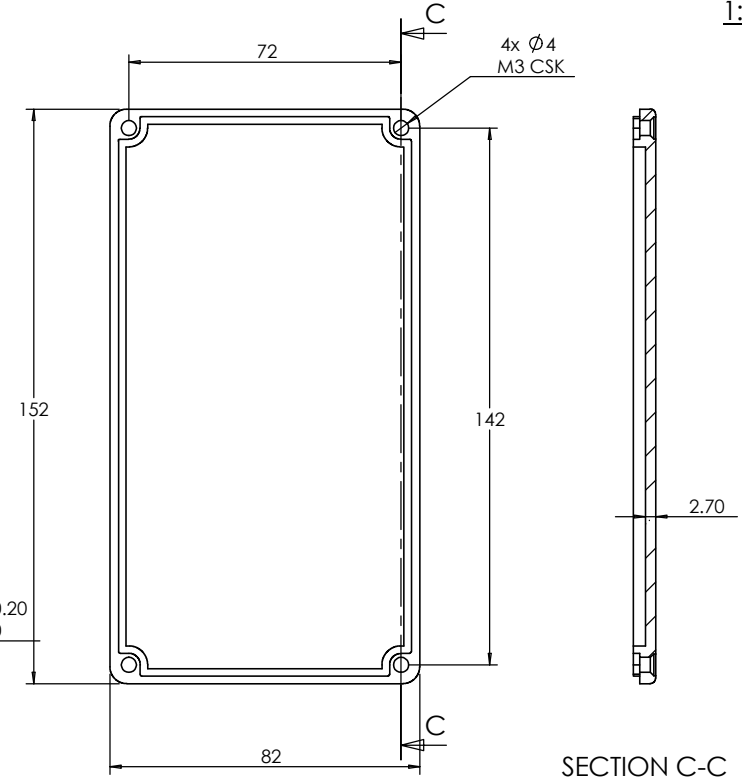
ISO VIEW  
1:4



BASE

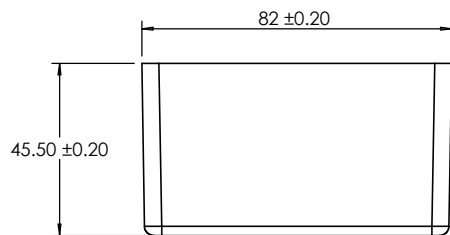




SECTION A-A



SECTION C-C

LID



|   |  |               |  |  |  |  |  |                           |  |              |
|---|--|---------------|--|--|--|--|--|---------------------------|--|--------------|
| <br><b>CAMDENBOSS</b><br>JAMES CARTER RD, MILDENHALL, SUFFOLK, IP28 7DE<br>TEL: 01638 716101 FAX: 01638 716554<br>EMAIL: Sales@CamdenBoss.com<br>WEB: www.CamdenBoss.com |  |               |  | UNLESS OTHERWISE SPECIFIED:<br>DIMENSIONS ARE IN MILLIMETERS |  | DO NOT SCALE DRAWING   |  | REVISION: 0               |  |              |
|   |  |               |  | FINISH:<br><b>SMOOTH</b>                                     |  | TITLE:<br><b>ASSEMBLY DRG FOR 5005/15</b>  |  |                           |  |              |
| DRAWN<br>S.HARDINGE   |  | SIGNED<br>SJH |  | DATE<br>07/12/05   |  | MATERIAL:<br>DIE-CAST ALUMINIUM  |  | DWG NO.<br><b>5005,15</b> |  | A4           |
| CHK'D<br>-  |  | -             |  | -  |  | PROJECTION:<br> |  | SCALE: 1:2                |  | SHEET 1 OF 1 |