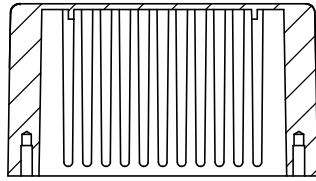


OVERALL ASSEMBLY DIMENSIONS:

EXTERNAL ± 0.2 - 152 x 82 x 49.75

INTERNAL ± 0.1 - 149.4 x 78.4 x 45.5

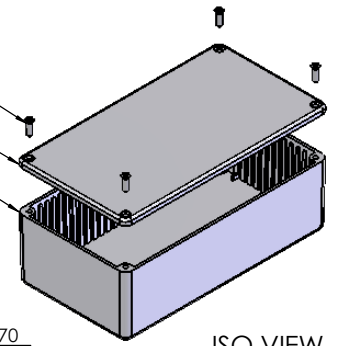


SECTION B-B

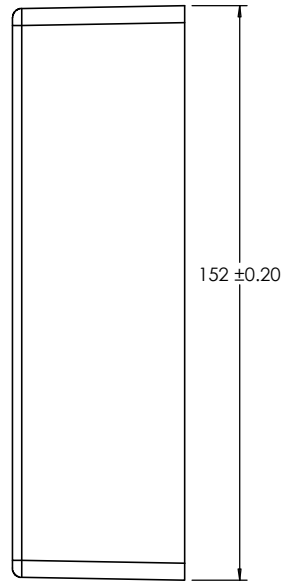
M3 CSK SCREW

LID

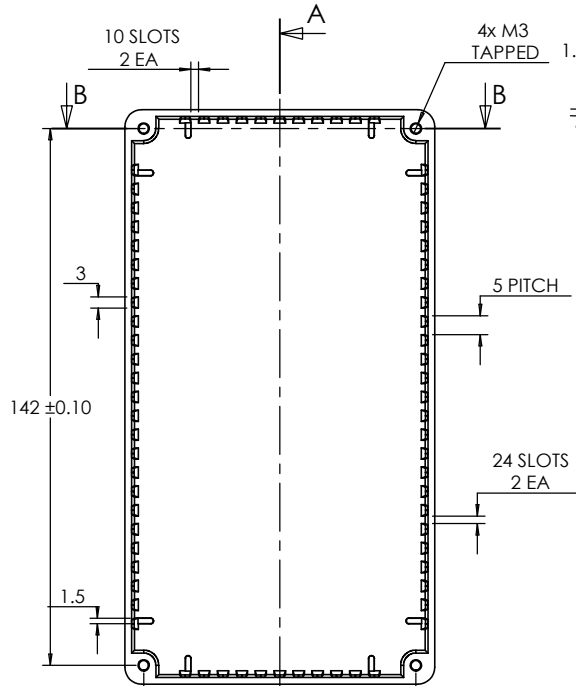
BASE



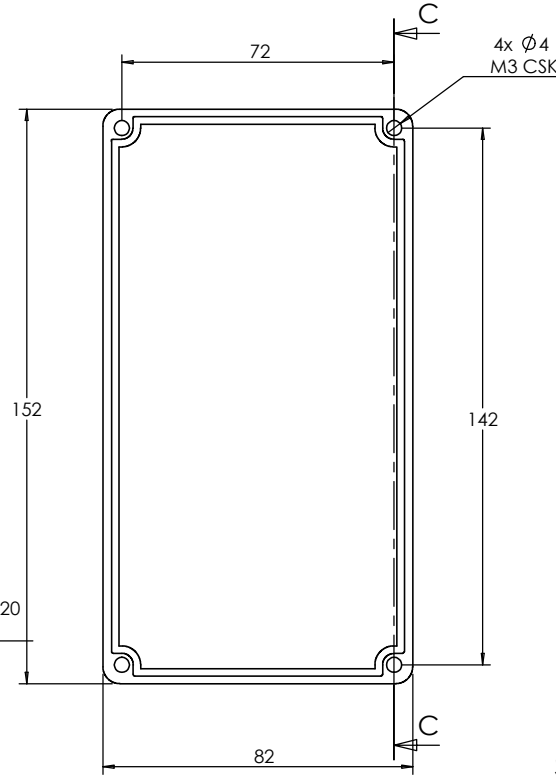
ISO VIEW
1:4



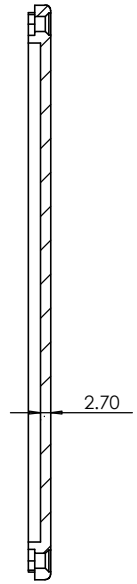
BASE



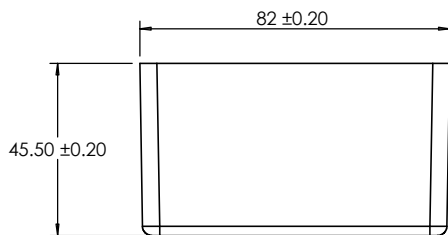
SECTION A-A


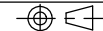


SECTION C-C



LID



 CAMDENBOSS JAMES CARTER RD, MILDENHALL, SUFFOLK, IP28 7DE TEL: 01638 716101 FAX: 01638 716554 EMAIL: Sales@CamdenBoss.com WEB: www.CamdenBoss.com				UNLESS OTHERWISE SPECIFIED: DIMENSIONS ARE IN MILLIMETERS		DO NOT SCALE DRAWING		REVISION: 0	
				FINISH: SMOOTH		TITLE: ASSEMBLY DRG FOR 5005/15			
DRAWN S.HARDINGE		SIGNED SJH		DATE 07/12/05		MATERIAL: DIE-CAST ALUMINIUM		DWG NO. 5005,15	
CHK'D -		-		-		PROJECTION: 		SCALE: 1:2	
								SHEET 1 OF 1	

A4