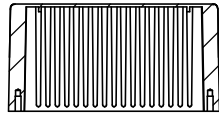


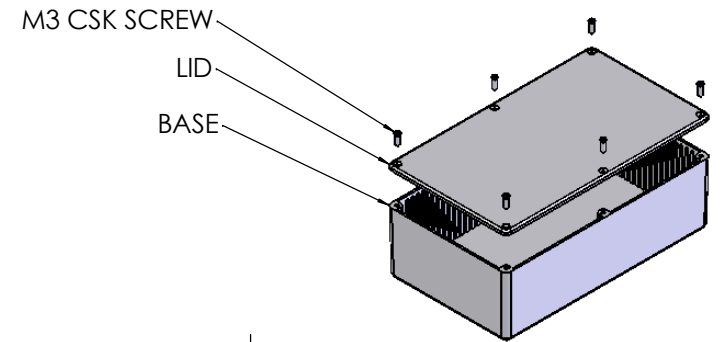
OVERALL ASSEMBLY DIMENSIONS:

EXTERNAL - 191.6 x 111.6 x 60.5

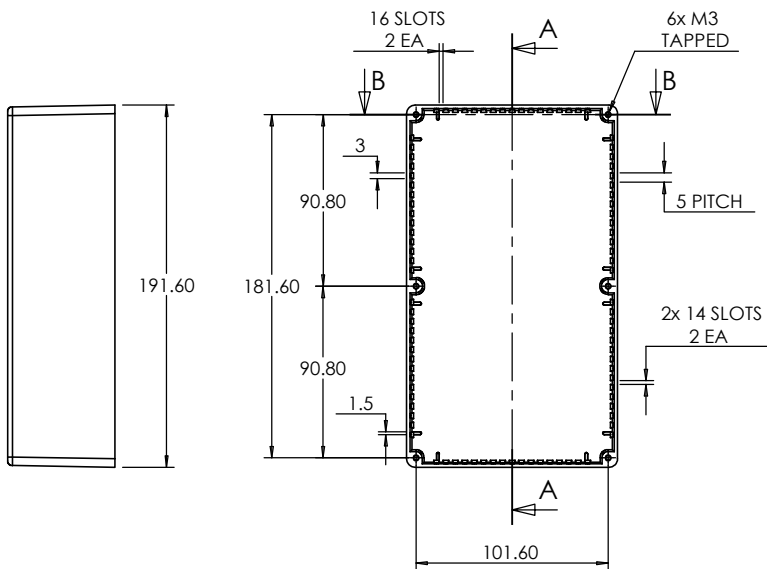
INTERNAL 188 x 108 x 56.3



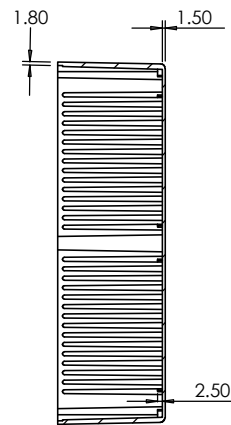
SECTION B-B



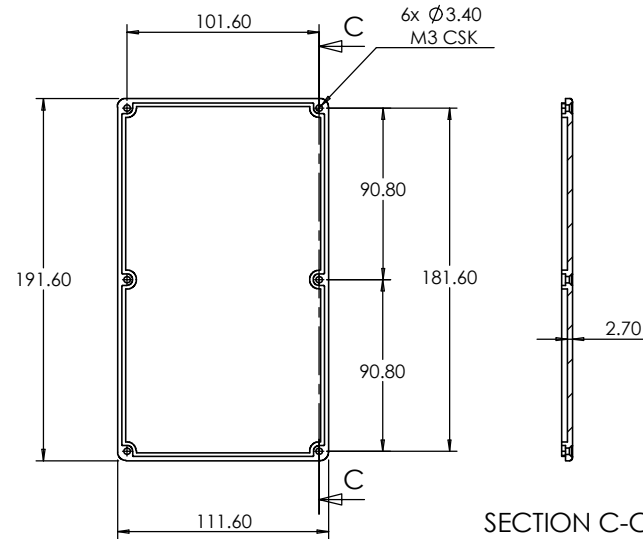
ISO VIEW
1:5



BASE

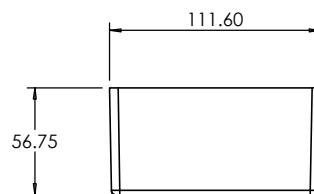



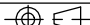
SECTION A-A



SECTION C-C

LID



 CAMDENBOSS JAMES CARTER RD, MILDENHALL, SUFFOLK, IP28 7DE TEL: 01638 716101 FAX: 01638 716554 EMAIL: Sales@CamdenBoss.com WEB: www.CamdenBoss.com				UNLESS OTHERWISE SPECIFIED: DIMENSIONS ARE IN MILLIMETERS		DO NOT SCALE DRAWING		REVISION. 0	
				FINISH: SMOOTH		TITLE: ASSEMBLY DRG FOR 5006/16			
DRAWN S.HARDINGE		SIGNED SJH		DATE 07/12/05		MATERIAL: DIE-CAST ALUMINIUM		DWG NO. 5006,16	
CHKD -		-		-		PROJECTION. 		SCALE: 1 : 4	
								SHEET 1 OF 1	

A4