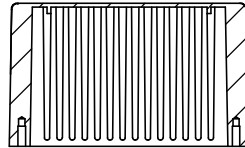


OVERALL ASSEMBLY DIMENSIONS:

EXTERNAL - 121 x 95 x 61

INTERNAL - 117.4 x 91.4 x 56.8

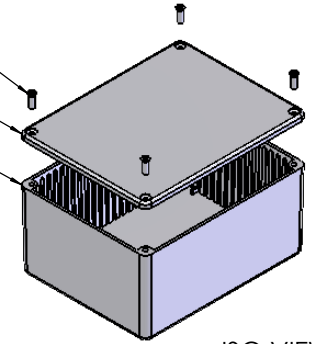


SECTION B-B

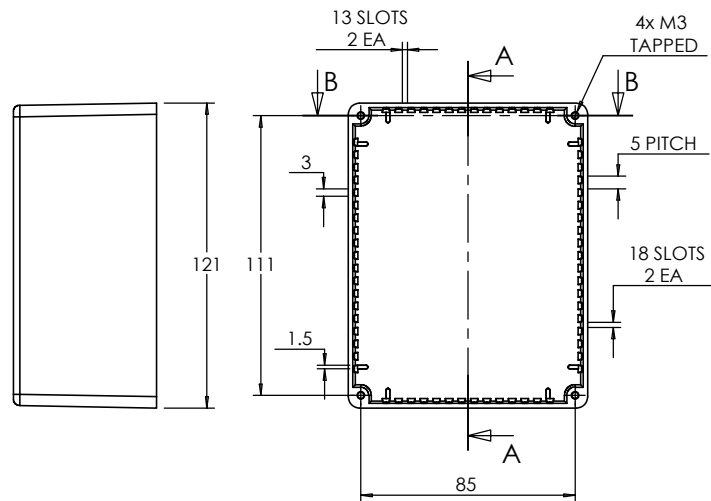
M3 CSK SCREW

LID

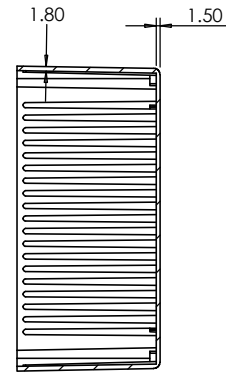
BASE



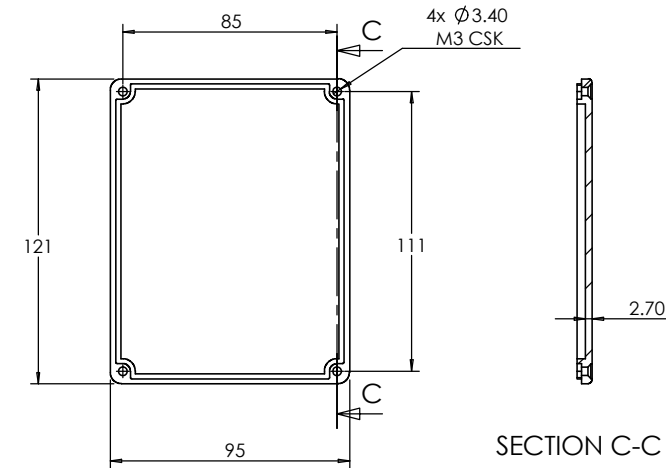
ISO VIEW
1:4



LID

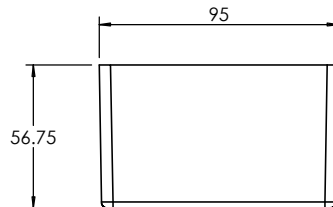



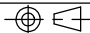
SECTION A-A



SECTION C-C

BASE



 CAMDENBOSS JAMES CARTER RD, MILDENHALL, SUFFOLK, IP28 7DE TEL: 01638 716101 FAX: 01638 716554 EMAIL: Sales@CamdenBoss.com WEB: www.CamdenBoss.com				UNLESS OTHERWISE SPECIFIED: DIMENSIONS ARE IN MILLIMETERS		DO NOT SCALE DRAWING		REVISION. 0	
				FINISH. SMOOTH		TITLE: ASSEMBLY DRG FOR 5007,17			
DRAWN S.HARDINGE		SIGNED SJH		DATE 07/12/05		MATERIAL. DIE-CAST ALUMINIUM		DWG NO. 5007,17	
CHK'D -		-		-		PROJECTION. 		SCALE. 1:3	
								SHEET 1 OF 1	

A4