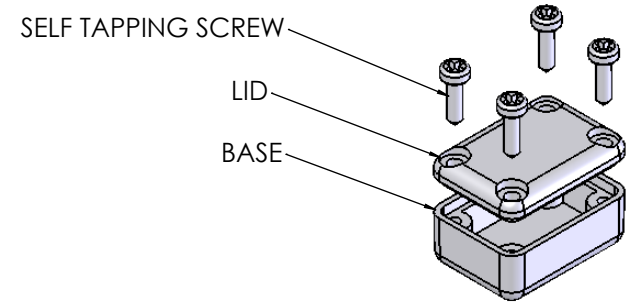


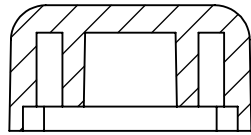
OVERALL ASSEMBLY DIMENSIONS:

EXTERNAL - 22.5 x 16 x 11.3

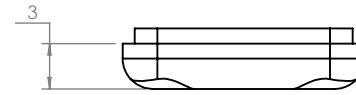
INTERNAL - 19 x 12.5 x 7.3



ISO VIEW
1:1



SECTION B-B



A

A

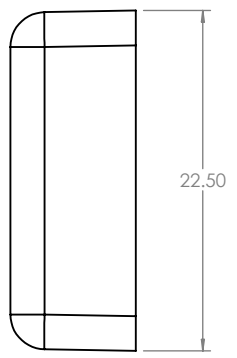
B

B

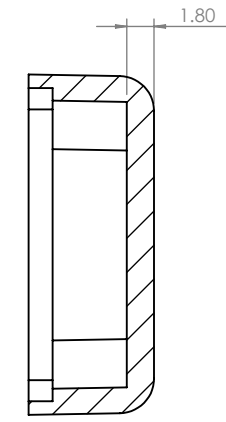
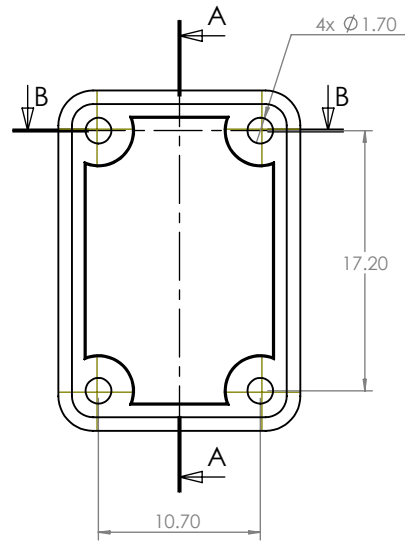
C

C

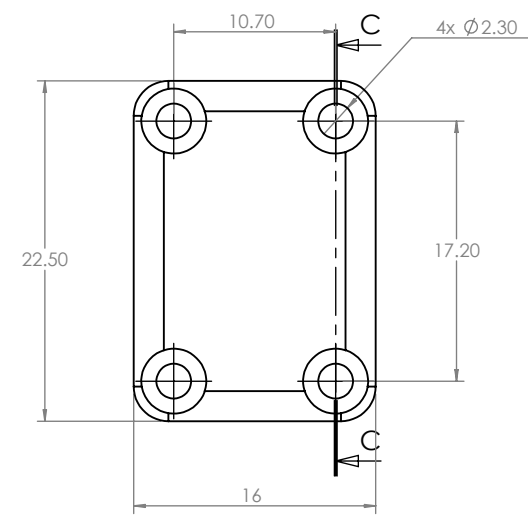
D



BASE

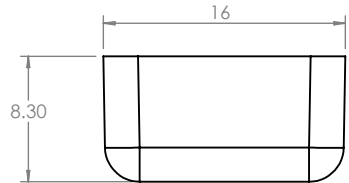




SECTION A-A



SECTION C-C

LID



| | | | | | |
|---|------------|--|----------|---|--------------------------|
|  CAMDENBOSS JAMES CARTER RD, MILDENHALL, SUFFOLK, IP28 7DE TEL: 01 638 716101 FAX: 01 638 716554 EMAIL: SALES@CAMDENBOSS.COM WEB: www.CAMDENBOSS.COM | | UNLESS OTHERWISE SPECIFIED: DIMENSIONS ARE IN MILLIMETERS | | DO NOT SCALE DRAWING | REVISION. O |
| | | FINISH. LIGHT SPARK | | TITLE: ASSEMBLY DRG FOR RX2002 | |
| DRAWN | S.HARDINGE | SJH | 30/11/05 | MATERIAL. ABS | DWG NO. RX2002 |
| CHKD | - | - | - | PROJECTION.  | SCALE: 2 : 1 |
| | | | | SHEET 1 OF 1 | |

A4