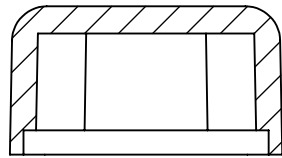


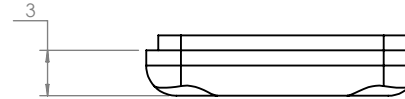
OVERALL ASSEMBLY DIMENSIONS:

EXTERNAL - 25.5 x 18 x 12.8

INTERNAL - 22 x 14.5 x 8.8



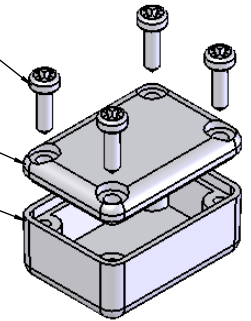
SECTION B-B



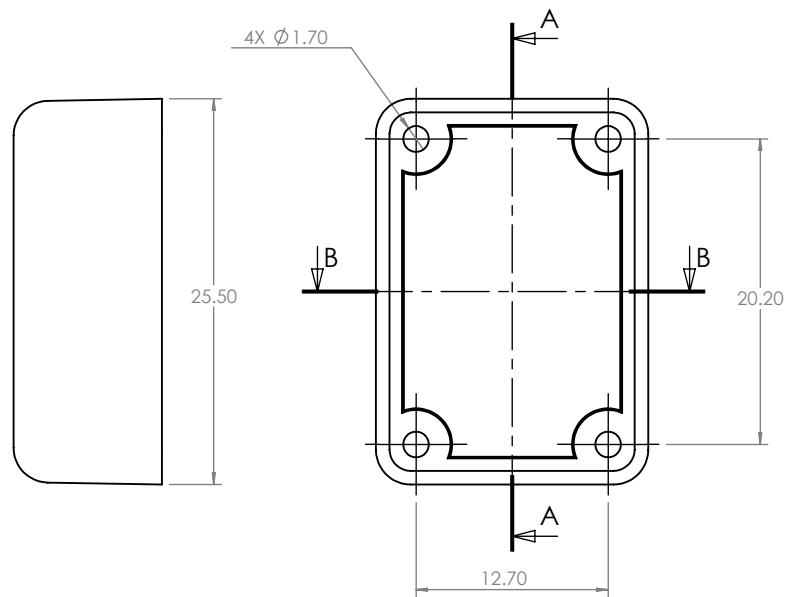
SELF TAPPING SCREW

LID

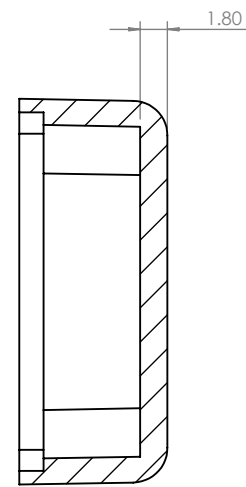
BASE



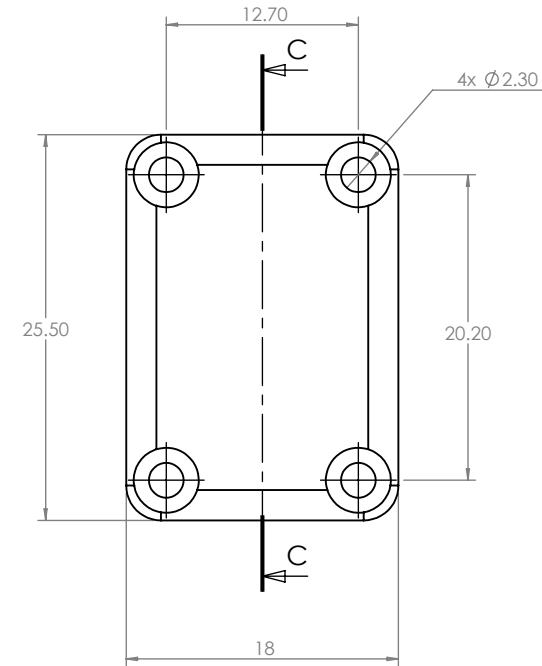
ISO VIEW
1:1



BASE

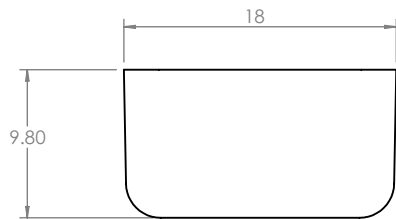




SECTION A-A



SECTION C-C

LID



 CAMDENBOSS JAMES CARTER RD, MILDENHALL, SUFFOLK, IP28 7DE TEL: 01638 716101 FAX: 01638 716554 EMAIL: SALES@CAMDENBOSS.COM WEB: www.CAMDENBOSS.COM				UNLESS OTHERWISE SPECIFIED: DIMENSIONS ARE IN MILLIMETERS		DO NOT SCALE DRAWING		REVISION. 0		
				FINISH. LIGHT SPARK		TITLE: ASSEMBLY DRG FOR RX2003				
DRAWN S.HARDINGE		SIGNED SJH		DATE 07/03/07		MATERIAL. ABS		DWG NO. RX2003		A4
CHKD -		-		-		PROJECTION. 		SCALE: 2 : 1		SHEET 1 OF 1