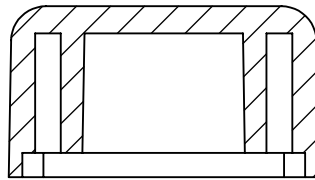


OVERALL ASSEMBLY DIMENSIONS:

EXTERNAL - 29 x 20.5 x 14.3

INTERNAL - 25.5 x 17 x 10.3



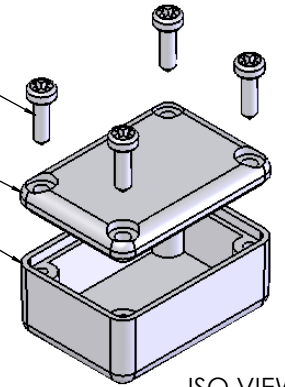
SECTION B-B



SELF TAPPING SCREW

LID

BASE



ISO VIEW  
1:1

A

A

B

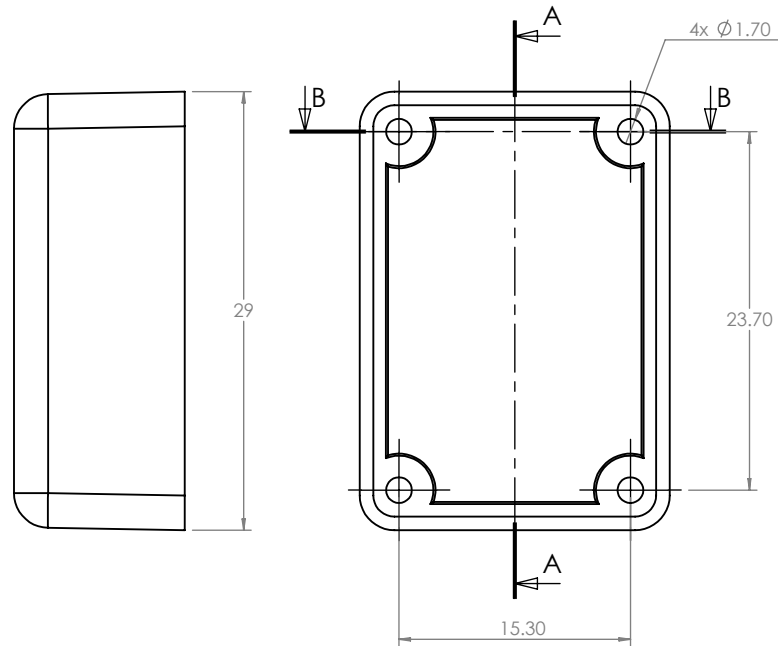
B

C

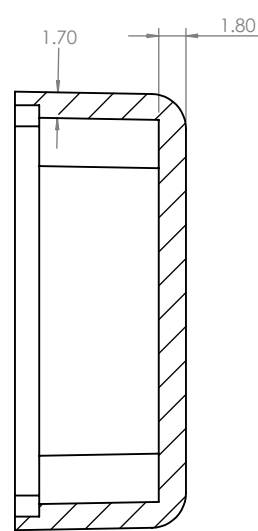
C

D

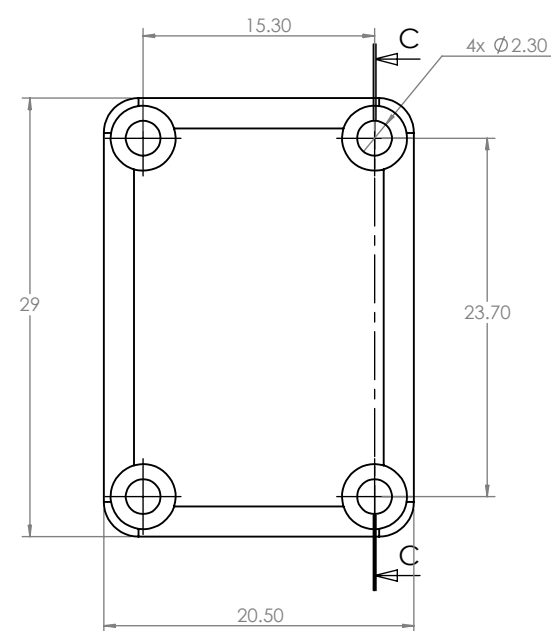
D



BASE

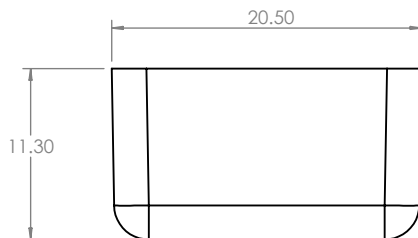




SECTION A-A



LID

SECTION C-C



 <b>CAMDENBOSS</b> JAMES CARTER RD, MILDENHALL, SUFFOLK, IP28 7DE TEL: 01 638 716101 FAX: 01 638 716554 EMAIL: SALES@CAMDENBOSS.COM WEB: www.CAMDENBOSS.COM		UNLESS OTHERWISE SPECIFIED: DIMENSIONS ARE IN MILLIMETERS		DO NOT SCALE DRAWING		REVISION. O	
		FINISH. <b>LIGHT SPARK</b>		TITLE: <b>ASSEMBLY DRG FOR RX2004</b>			
DRAWN S.HARDINGE		SIGNED SJH		DATE 30/11/05		MATERIAL. <b>ABS</b>	
CHKD -		-		-		DWG NO. <b>RX2004</b>	
				PROJECTION. 		SCALE. 2 : 1	
						SHEET 1 OF 1	
						A4	