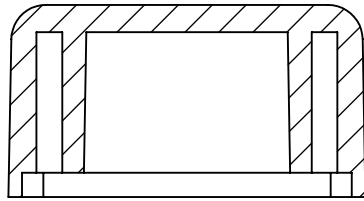


OVERALL ASSEMBLY DIMENSIONS:

EXTERNAL - 33.6 x 23.6 x 15.7

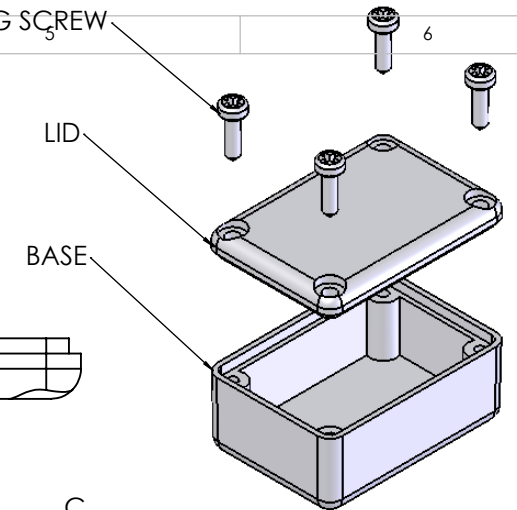
INTERNAL - 30 x 20 x 11.7



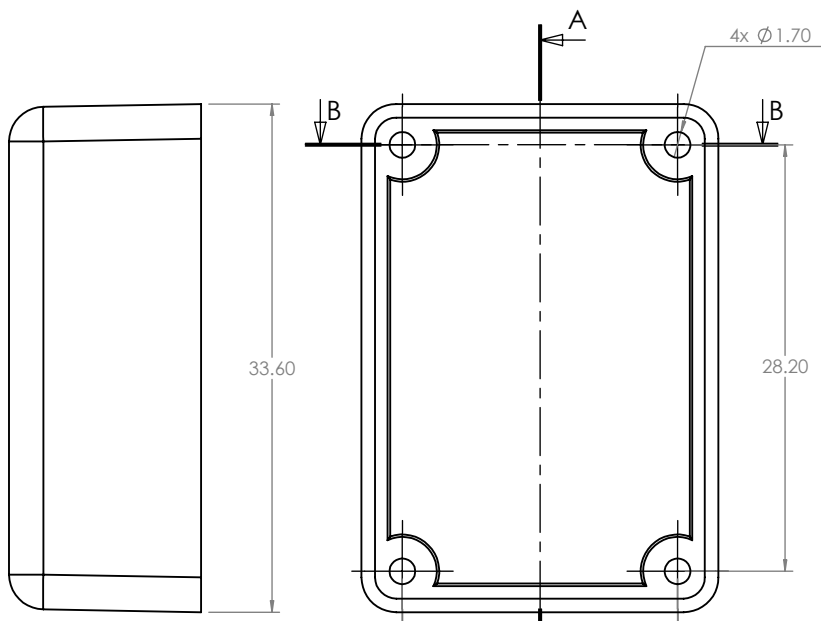
SECTION B-B



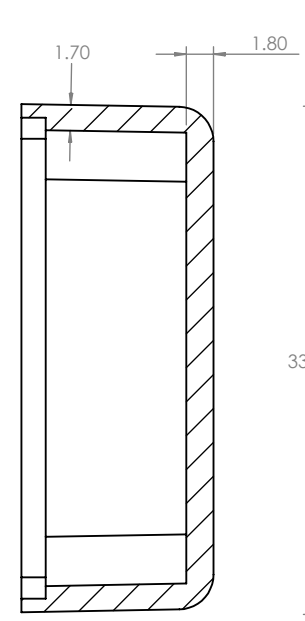
SELF TAPPING SCREW



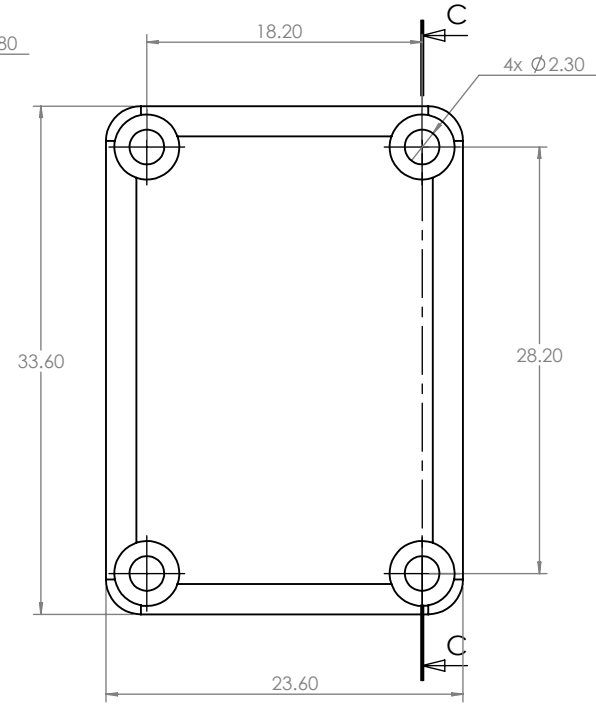
ISO VIEW
1:1



BASE

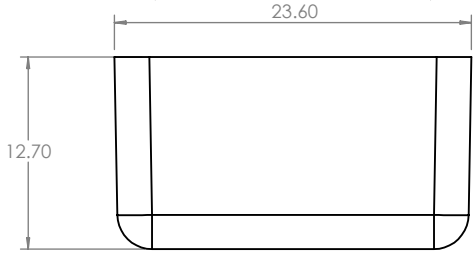




SECTION A-A



SECTION C-C

LID



 CAMDENBOSS JAMES CARTER RD, MILDENHALL, SUFFOLK, IP28 7DE TEL: 01638 716101 FAX: 01638 716554 EMAIL: SALES@C.CAMDENBOSS.COM WEB: WWW.CAMDENBOSS.COM				UNLESS OTHERWISE SPECIFIED: DIMENSIONS ARE IN MILLIMETERS		DO NOT SCALE DRAWING		REVISION. 0		
				FINISH. LIGHT SPARK		TITLE: ASSEMBLY DRG FOR RX2005 BOX				
DRAWN S.HARDINGE		SIGNED SJH		DATE 29/11/05		MATERIAL. ABS		DWG NO. RX2005		A4
CHKD -		-		-		PROJECTION. 		SCALE: 2 : 1		SHEET 1 OF 1