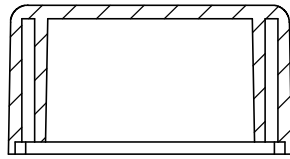


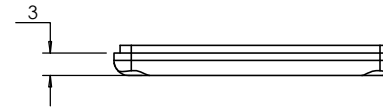
OVERALL ASSEMBLY DIMENSIONS:

EXTERNAL - 53.5 x 37.5 x 22.7

INTERNAL - 50 x 34 x 18.7



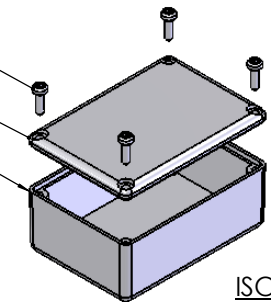
SECTION B-B



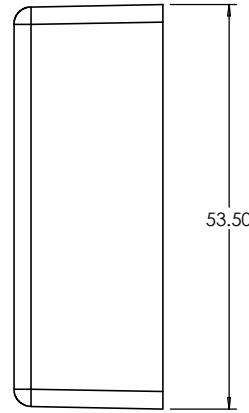
SELF TAPPING SCREW

LID

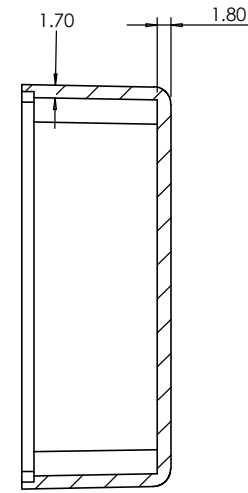
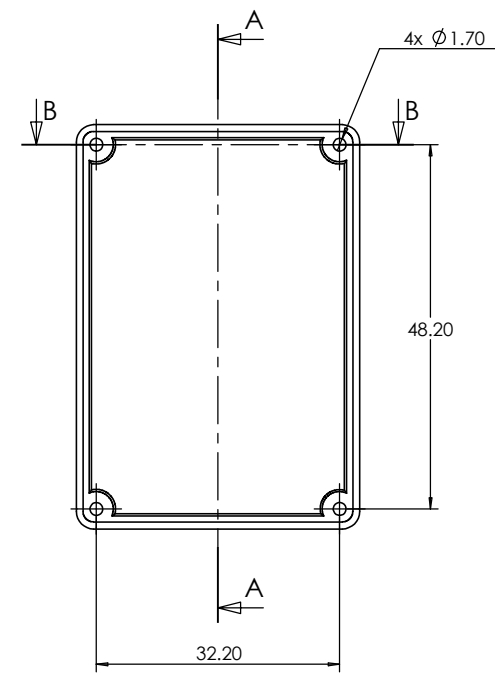
BASE



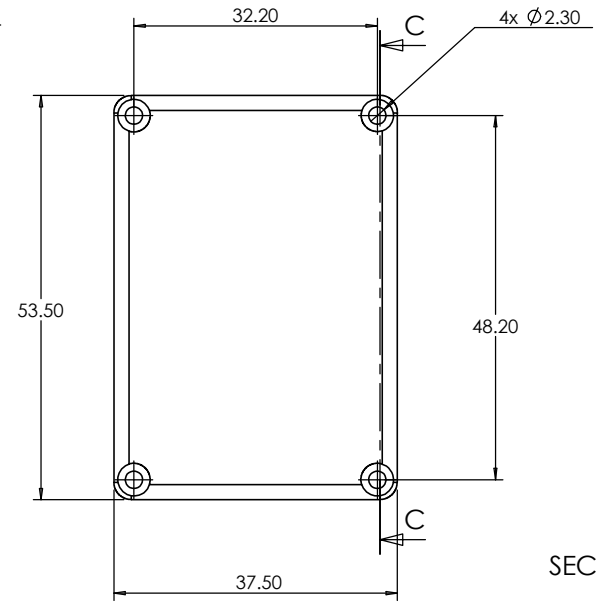
ISO VIEW
1:2



BASE

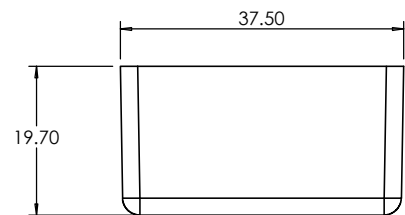



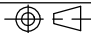
SECTION A-A



SECTION C-C

LID



 CAMDENBOSS JAMES CARTER RD, MILDENHALL, SUFFOLK. IP28 7DE TEL: 01638 716101 FAX: 01638 716554 EMAIL: Sales@CamdenBoss.com WEB: www.CamdenBoss.com				UNLESS OTHERWISE SPECIFIED: DIMENSIONS ARE IN MILLIMETERS		DO NOT SCALE DRAWING		REVISION. 0		
				FINISH. LIGHT SPARK		TITLE: ASSEMBLY DRG FOR RX2008				
DRAWN S.HARDINGE		SIGNED SJH		DATE 28/11/05		MATERIAL. ABS		DWG NO. RX2008		A4
CHK'D -		-		-		PROJECTION. 		SCALE. 1 : 1		SHEET 1 OF 1