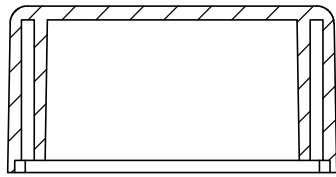


OVERALL ASSEMBLY DIMENSIONS:

EXTERNAL - 63.5 x 43.5 x 25

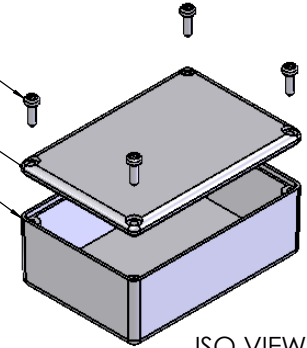
INTERNAL - 60 x 40 x 21



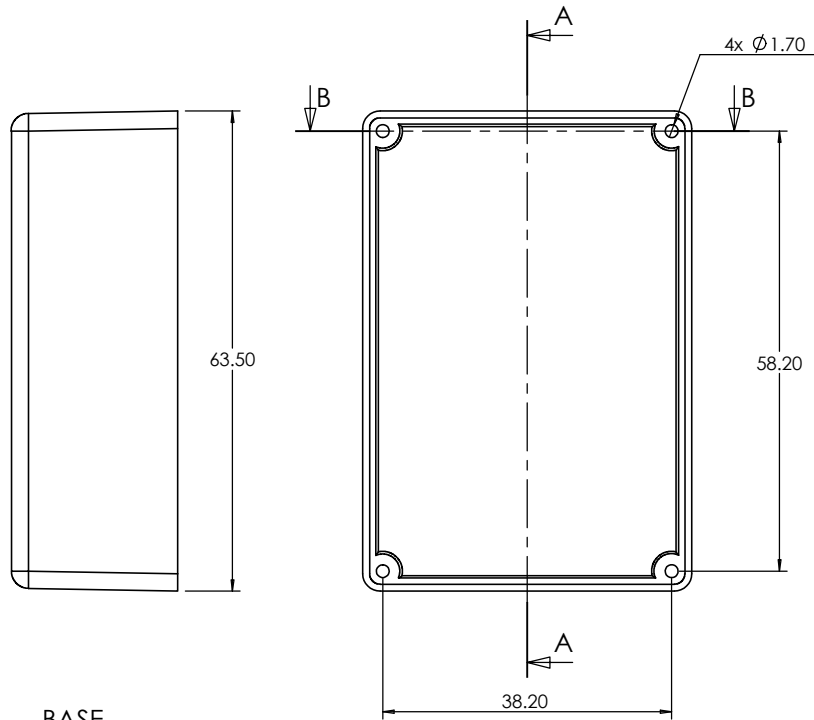
SECTION B-B

SELF TAPPING SCREWS

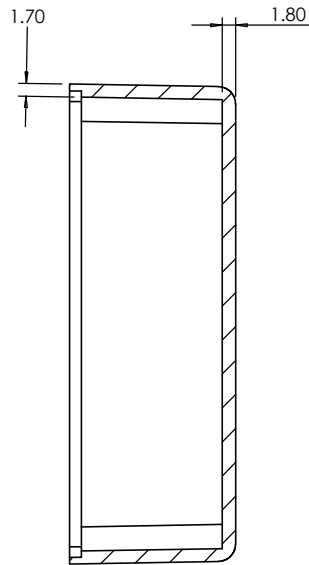
LID
BASE



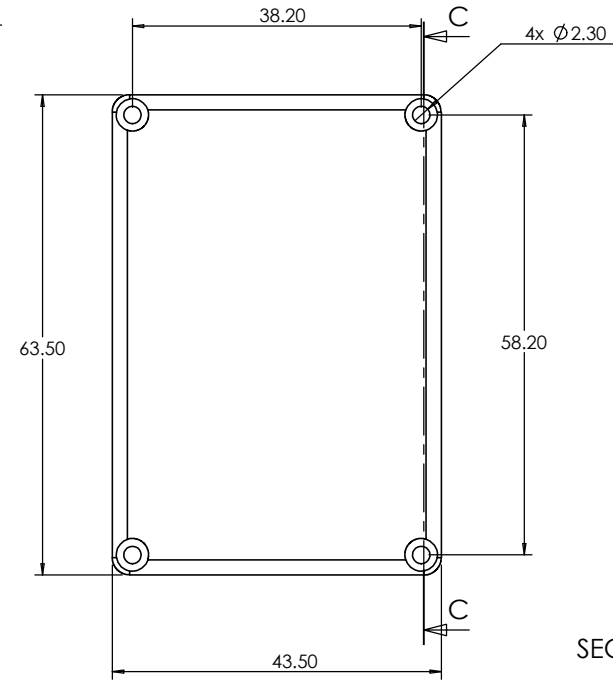
ISO VIEW
1:2



BASE

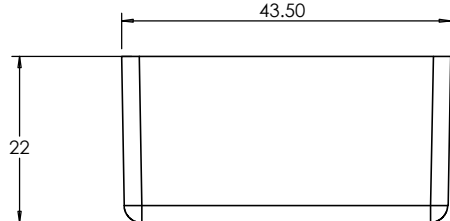



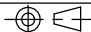
SECTION A-A



SECTION C-C

LID



 CAMDENBOSS JAMES CARTER RD, MILDENHALL, SUFFOLK. IP28 7DE TEL: 01638 716101 FAX: 01638 716554 EMAIL: Sales@CamdenBoss.com WEB: www.CamdenBoss.com			UNLESS OTHERWISE SPECIFIED: DIMENSIONS ARE IN MILLIMETERS		DO NOT SCALE DRAWING		REVISION. 0		
			FINISH. LIGHT SPARK		TITLE: ASSEMBLY DRG FOR RX2009				
DRAWN S.HARDINGE		SIGNED SJH	DATE 21/11/05		MATERIAL. ABS		DWG NO. RX2009		A4
CHK'D -		-	-		PROJECTION. 		SCALE: 1 : 1		SHEET 1 OF 1